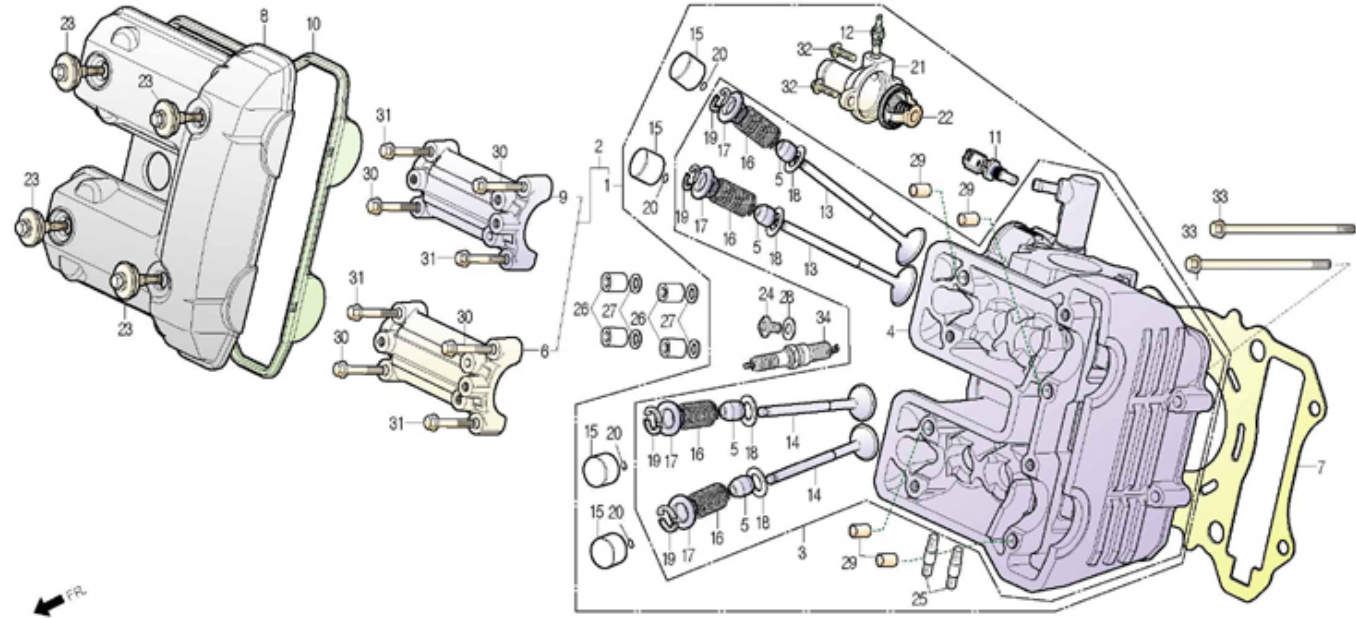


# E - 01

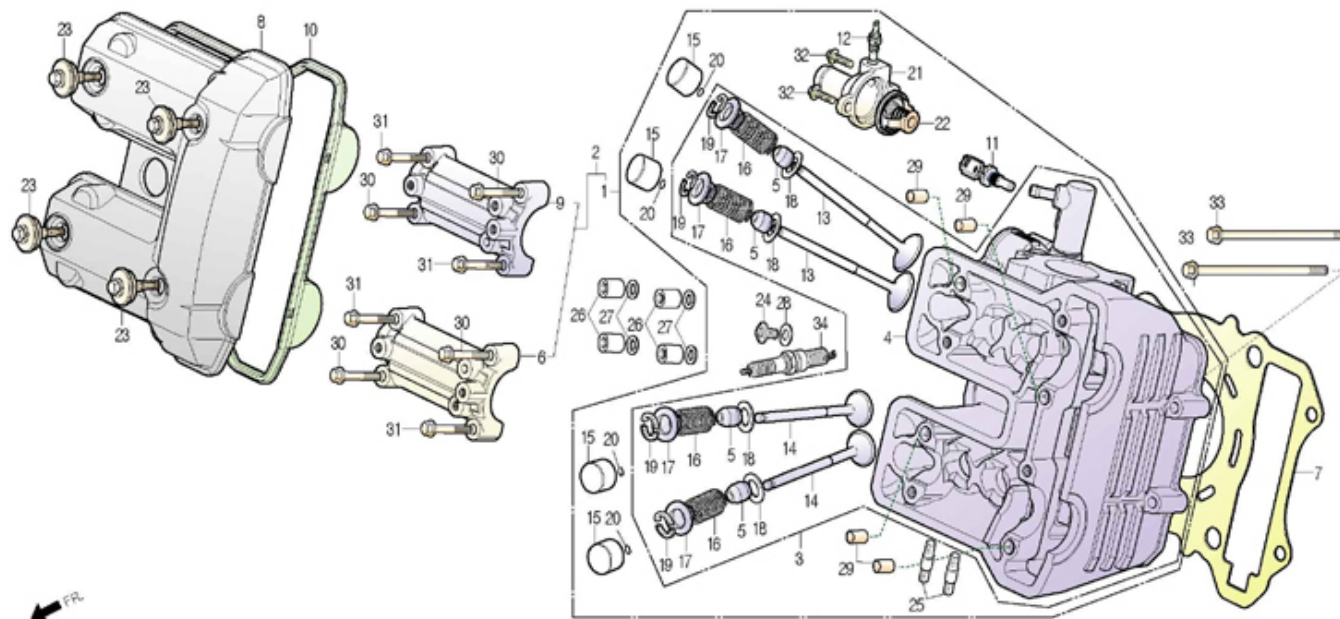
## CYLINDER HEAD



Service item	FRT	Ref. No.	Part No.	Description	QTY	A/S	Exch	Start Date	Start FRM.No	End FRM.No
GASKET, CYLINDER HEAD COVER, CYLINDER HEAD	2.3	1	1200A - SZ2 - 0000	HEAD SUB ASS'Y, CYLINDER	1	N		20120423	KMYSZ2BLSDC000001	
INSULATOR COMP., THROTTLE BODY	0.4	2	12000 - SZ2 - 0000	HEAD SET, CYLINDER	1	Y		20120423	KMYSZ2BLSDC000001	
PLUG, SPARK	0.4	3	1220A - SZ2 - 0000	HEAD ASS'Y, CYLINDER	1	N		20120423	KMYSZ2BLSDC000001	
SPRING, VALVE	0.3	4	12200 - SZ2 - 0000	HEAD COMP., CYLINDER	1	N		20120423	KMYSZ2BLSDC000001	
VALVE, IN/EX.	3.0	5	12209 - BA6 - 0050	SEAL, VALVE STEM	4	Y		20120423	KMYSZ2BLSDC000001	
HEAD SET, CYLINDER	2.3	6	12211 - BA8 - 0010	HOLDER, FR.CAM SHAFT	1	N		20120423	KMYSZ2BLSDC000001	
		7	12251 - SZ2 - 0000	GASKET, CYLINDER HEAD	1	Y		20120423	KMYSZ2BLSDC000001	
		8	12301 - SZ2 - 0000	COVER, CYLINDER HEAD	1	Y		20120423	KMYSZ2BLSDC000001	
		9	12311 - BA8 - 0010	HOLDER, RR.CAM SHAFT	1	N		20120423	KMYSZ2BLSDC000001	
		10	12313 - BA8 - 0010	GASKET, CYLINDER HEAD COVER	1	Y		20120423	KMYSZ2BLSDC000001	
		11	12410 - BA8 - 0000 - M1	SENSOR, ENGINE TEMP.	1	Y		20120423	KMYSZ2BLSDC000001	
		12	12420 - BA8 - 0000 - M1	UNIT, WATER TEMP. GAUGE	1	Y		20120423	KMYSZ2BLSDC000001	
		13	14711 - BZ1 - 0000	VALVE, INLET	2	Y		20120423	KMYSZ2BLSDC000001	
		14	14721 - BZ1 - 0000	VALVE, EXHAUST	2	N	Y	20120423	KMYSZ2BLSDC000001	KMYSZ2BLSDC000785
			14721 - BZ1 - 0010	VALVE, EXHAUST	2	Y		20130319	KMYSZ2BLSDC000786	
		15	14731 - BA8 - 0000 - M1	LIFT, VALVE	4	Y		20120423	KMYSZ2BLSDC000001	
		16	14751 - SZ2 - 0000	SPRING, VALVE	4	Y		20120423	KMYSZ2BLSDC000001	
		17	14771 - BA8 - 0000	RETAINER, VALVE SPRING	4	Y		20120423	KMYSZ2BLSDC000001	
		18	14775 - BA1 - 0000	SEAT, VALVE SPRING	4	Y		20120423	KMYSZ2BLSDC000001	
		19	14781 - BA6 - 0000	COTTER, VALVE	8	Y		20120423	KMYSZ2BLSDC000001	
		20	1490A - BA8 - 0000	SHIM ASS'Y (For A/S Order)	4	Y		20120423	KMYSZ2BLSDC000001	

## E - 01

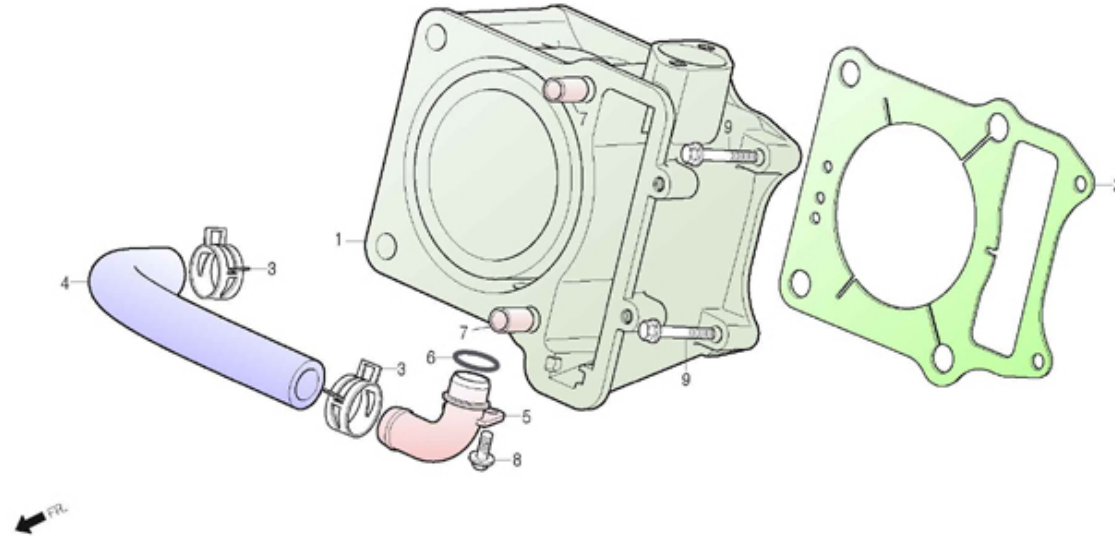
## CYLINDER HEAD



Service item	FRT	Ref. No.	Part No.	Description	QTY	A/S	Exch	Start Date	Start FRM.No	End FRM.No
		21	19103 - SAB - 0000	CAP, THERMOSTAT	1	Y		20120423	KMYSZ2BLSDC000001	
		22	19400 - SZ2 - 0000	THERMOSTAT ASS'Y	1	Y		20120423	KMYSZ2BLSDC000001	
		23	9000A - BA8 - 0000	BOLT ASS'Y, SPECIAL 6x24	4	Y		20120423	KMYSZ2BLSDC000001	
		24	90009 - BA7 - 9000	BOLT, SOCKET 10mm	1	Y		20120423	KMYSZ2BLSDC000001	
		25	90033 - SZ2 - 0000	BOLT, STUD 8x35	2	Y		20120423	KMYSZ2BLSDC000001	
		26	90304 - BA8 - 0000	NUT, SPECIAL 10mm	4	Y		20120423	KMYSZ2BLSDC000001	
		27	90412 - BA6 - 0000	WASHER, THRUST 10mm	4	Y		20120423	KMYSZ2BLSDC000001	
		28	90443 - BA6 - 0000	WASHER, SEALING 10mm	1	Y		20120423	KMYSZ2BLSDC000001	
		29	S4301 - 08120	PIN, DOWEL 8x12	4	Y		20120423	KMYSZ2BLSDC000001	
		30	S5701 - 06035 - 00	BOLT, FLANGE 6x35	4	Y		20120423	KMYSZ2BLSDC000001	
		31	S5701 - 06040 - 00	BOLT, FLANGE 6x40	4	Y		20120423	KMYSZ2BLSDC000001	
		32	S6001 - 06018 - 00	BOLT, FLANGE SH.6x18	2	Y		20120423	KMYSZ2BLSDC000001	
		33	S6001 - 06040 - 00	BOLT, FLANGE SH.6x40	2	Y		20120423	KMYSZ2BLSDC000001	
		34	S8059 - 59936 - 00	SPARK PLUG, CR9EH - 9	1	Y		20120423	KMYSZ2BLSDC000001	

## E - 02

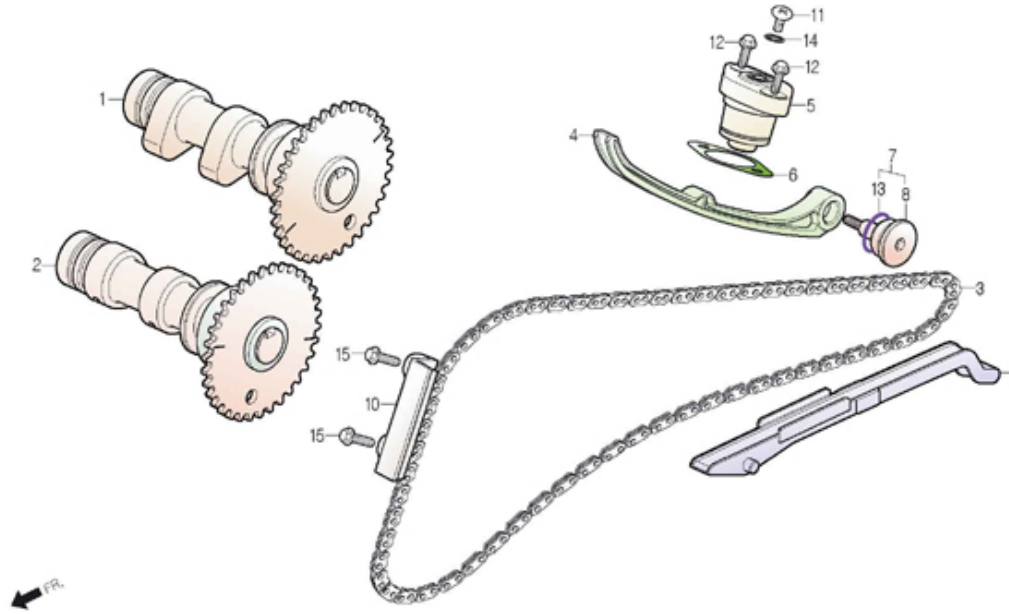
## CYLINDER



Service item	FRT	Ref. No.	Part No.	Description	QTY	A/S	Exch	Start Date	Start FRM.No	End FRM.No
CYLINDER COMP.	2.5	1	12100 - SZ2 - 0000	CYLINDER COMP.	1	Y		20120423	KMYSZ2BLSDC000001	
GASKET, CYLINDER	2.5	2	12191 - SAB - 0000	GASKET, CYLINDER	1	Y		20120423	KMYSZ2BLSDC000001	
SENSOR, ENGINE TEMP.	0.5	3	19354 - SAB - 0000 - M1	CLIP C23, TUBE	2	Y		20120423	KMYSZ2BLSDC000001	
		4	19504 - SZ2 - 0000	HOSE, WATER INLET	1	Y		20120423	KMYSZ2BLSDC000001	
		5	19512 - BZ1 - 0000	JOINT B, WATER HOSE	1	Y		20120423	KMYSZ2BLSDC000001	
		6	91312 - BA8 - 0000	O - RING 17x3	1	Y		20120423	KMYSZ2BLSDC000001	
		7	S4301 - 12160	PIN, DOWEL 12x16	2	Y		20120423	KMYSZ2BLSDC000001	
		8	S6001 - 06014 - 00	BOLT, FLANGE, SH.6x14	1	Y		20120423	KMYSZ2BLSDC000001	
		9	S6001 - 06035 - 00	BOLT, FLANGE, SH.6x35	2	Y		20120423	KMYSZ2BLSDC000001	

# E - 03

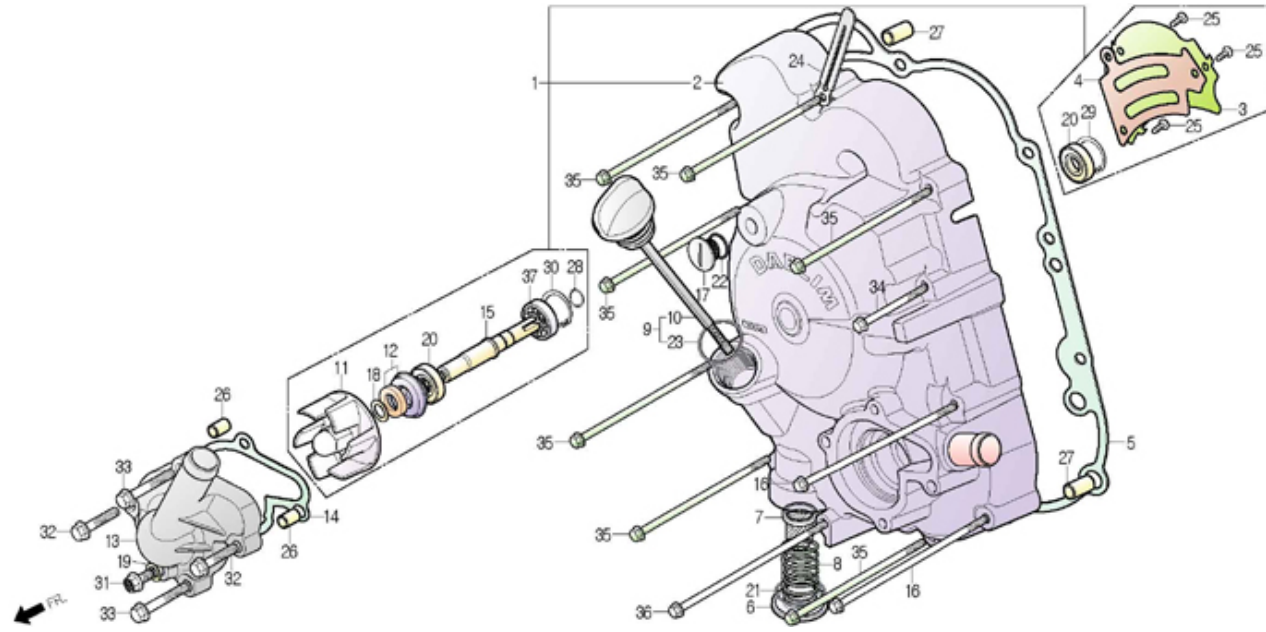
## CAM SHAFT / TENSIONER



Service item	FRT	Ref. No.	Part No.	Description	QTY	A/S	Exch	Start Date	Start FRM.No	End FRM.No
SHAFT, CAM	*2.7	1	14100 - SZ2 - 0000	SHAFT COMP., IN. CAM	1	Y		20120423	KMYSZ2BLSDC000001	
TENSIONER, CAM CHAIN	2.5	2	14200 - BZ1 - 0000	SHAFT COMP., EX. CAM	1	Y		20120423	KMYSZ2BLSDC000001	
LIFTER ASS'Y, TENSIONER	0.2	3	14401 - BZ1 - 0000	CHAIN, CAM	1	Y		20120423	KMYSZ2BLSDC000001	
GUIDE, CAM CHAIN	2.3	4	14500 - SZ2 - 0000	TENSIONER, CAM CHAIN	1	Y		20120423	KMYSZ2BLSDC000001	
		5	14520 - SAB - 0000	LIFTER ASS'Y, TENSIONER	1	Y		20120423	KMYSZ2BLSDC000001	
		6	14523 - BA7 - 0000 - EU	GASKET, TENSIONER LIFTER	1	Y		20120423	KMYSZ2BLSDC000001	
		7	1453A - SAB - 0000	PIVOT ASS'Y, CHAIN TENSIONER	1	Y		20120423	KMYSZ2BLSDC000001	
		8	14531 - SAB - 0000	PIVOT, CAM CHAIN TENSIONER	1	N		20120423	KMYSZ2BLSDC000001	
		9	14550 - BZ1 - 0010	GUIDE, CAM CHAIN	1	Y		20120423	KMYSZ2BLSDC000001	
		10	14560 - BA8 - 0000	GUIDE B, CAM CHAIN	1	Y		20120423	KMYSZ2BLSDC000001	
		11	90005 - BA7 - 9000	SCREW, PAN, 6x6	1	Y		20120423	KMYSZ2BLSDC000001	
		12	90091 - BA7 - 0000	BOLT, FLANGE, 6x16	2	Y		20120423	KMYSZ2BLSDC000001	
		13	91302 - SAB - 0000	O - RING 23.2x1.5	1	Y		20120423	KMYSZ2BLSDC000001	
		14	91306 - BA6 - 6900	O - RING 1.5x9.5	1	Y		20120423	KMYSZ2BLSDC000001	

## E - 04

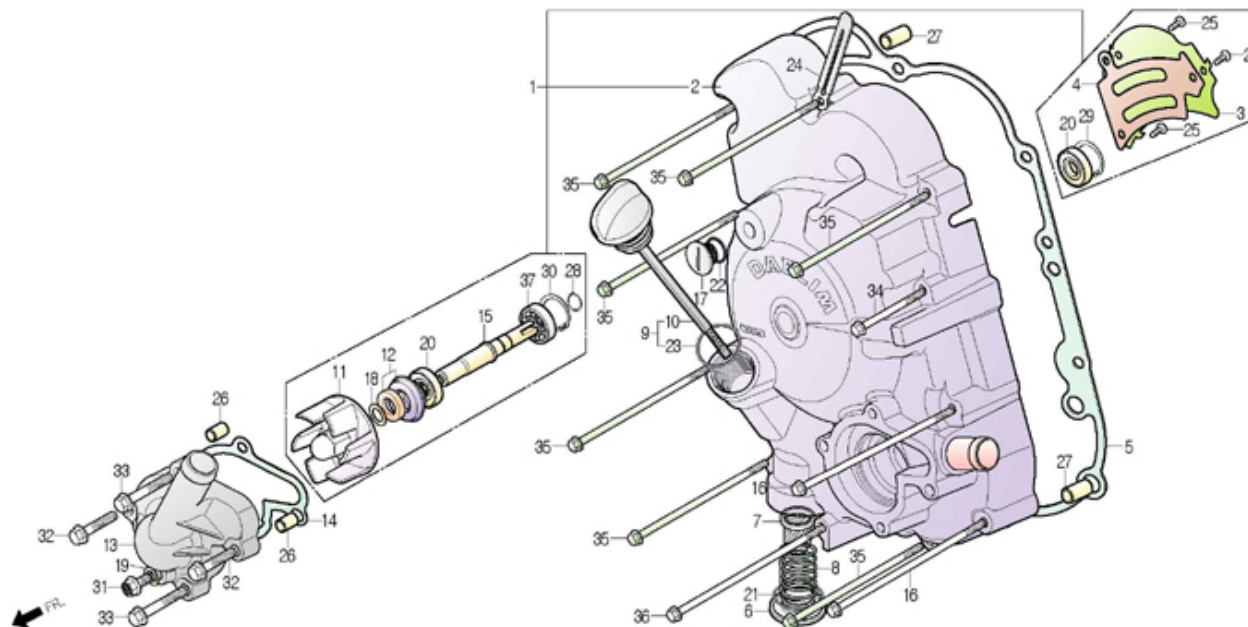
## RIGHT CRANK CASE COVER / WATER PUMP



Service item	FRT	Ref. No.	Part No.	Description	QTY	A/S	Exch	Start Date	Start FRM.No	End FRM.No
COVER COMP., RH.CRANK CASE	1.0	1	1133A - SZ2 - 0000	COVER ASS'Y, RH.CRANK CASE	1	Y		20120423	KMYSZ2BLSDC000001	
GASKET,RH.CRANK CASE COVER	1.0	2	11330 - SZ2 - 0000	COVER COMP., RH.CRANK CASE	1	Y		20120423	KMYSZ2BLSDC000001	
COVER	0.3	3	11332 - SAB - 0000	PLATE, OIL SEPARATOR	1	Y		20120423	KMYSZ2BLSDC000001	
COVER, WATER PUMP	0.3	4	11333 - SAB - 0000	GASKET, OIL SEPARATOR PLATE	1	Y		20120423	KMYSZ2BLSDC000001	
GASKET, WATER PUMP COVER	0.3	5	11393 - SAB - 0000	GASKET, RH.CRANK CASE COVER	1	Y		20120423	KMYSZ2BLSDC000001	
IMPELLER, WATER PUMP	0.2									
HOSE B, WATER	0.2	6	12361 - SA0 - 0000	HOLE CAP, TAPPET ADJUSTING	1	Y		20120423	KMYSZ2BLSDC000001	
SCREEN, OIL FILTER		7	15421 - BA6 - 0000	SCREEN, OIL FILTER	1	Y		20120423	KMYSZ2BLSDC000001	
		8	15426 - SA1 - 0000	SPRING, OIL FILTER SCREEN	1	Y		20120423	KMYSZ2BLSDC000001	
		9	1565A - SAB - 0000	GAUGE ASS'Y, OIL LEVEL	1	Y		20120423	KMYSZ2BLSDC000001	
		10	15651 - SAB - 0000	GAUGE, OIL LEVEL	1	N		20120423	KMYSZ2BLSDC000001	
		11	19215 - SAB - 0000	IMPELLER, WATER PUMP	1	Y		20120423	KMYSZ2BLSDC000001	
		12	19217 - BA8 - 0000	SEAL, MECHANICAL	1	Y		20120423	KMYSZ2BLSDC000001	
		13	19221 - SZ2 - 0000	COVER, WATER PUMP	1	Y		20120423	KMYSZ2BLSDC000001	
		14	19223 - SAB - 0000	GASKET, WATER PUMP COVER	1	Y		20120423	KMYSZ2BLSDC000001	
		15	19241 - SAB - 0020	SHAFT, WATER PUMP	1	Y		20120423	KMYSZ2BLSDC000001	
		16	90001 - SZ2 - 0000	BOLT, SPECIAL 6x150	2	Y		20120423	KMYSZ2BLSDC000001	
		17	90084 - CB2 - 8300	CAP, AC GENERATOR	1	Y		20120423	KMYSZ2BLSDC000001	
		18	90423 - BA8 - 0000	WASHER 7.5x13x1.2	1	Y		20120423	KMYSZ2BLSDC000001	
		19	90461 - BA6 - 1000	WASHER, SEALING 12mm	1	Y		20120423	KMYSZ2BLSDC000001	
		20	91203 - BA6 - 0030	OIL SEAL 14x22x5	2	Y		20120423	KMYSZ2BLSDC000001	

## E - 04

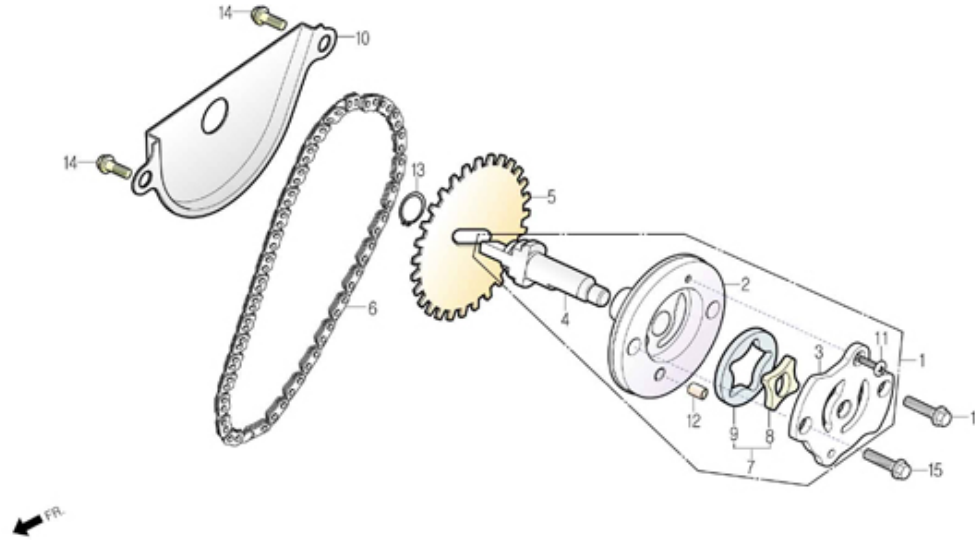
## RIGHT CRANK CASE COVER / WATER PUMP



Service item	FRT	Ref. No.	Part No.	Description	QTY	A/S	Exch	Start Date	Start FRM.No	End FRM.No
		21	91302 - CB2 - 0200	O - RING, 30.8mm	1	Y		20120423	KMYSZ2BLSDC000001	
		22	91303 - CB2 - 1000	O - RING, 13.8x2.5	1	Y		20120423	KMYSZ2BLSDC000001	
		23	91307 - CB2 - 0010	O - RING, 18x3	1	Y		20120423	KMYSZ2BLSDC000001	
		24	91411 - BA6 - 9600	CLIP, 2x90	1	Y		20120423	KMYSZ2BLSDC000001	
		25	S3903 - 34110	SCREW, TAPPING 4x8	3	Y		20120423	KMYSZ2BLSDC000001	
		26	S4301 - 08120	PIN, DOWEL 8x12	2	Y		20120423	KMYSZ2BLSDC000001	
		27	S4301 - 10160	PIN, DOWEL 10x16	2	Y		20120423	KMYSZ2BLSDC000001	
		28	S4510 - 12000	CIR CLIP, EXTERNAL 12mm	1	Y		20120423	KMYSZ2BLSDC000001	
		29	S4520 - 22000	CIR CLIP, INTERNAL 22mm	1	Y		20120423	KMYSZ2BLSDC000001	
		30	S4520 - 28000	CIR CLIP, INTERNAL 28mm	1	Y		20120423	KMYSZ2BLSDC000001	
		31	S5701 - 06010 - 00	BOLT, FLANGE 6x10	1	Y		20120423	KMYSZ2BLSDC000001	
		32	S6001 - 06025 - 00	BOLT, FLANGE SH.6x25	2	Y		20120423	KMYSZ2BLSDC000001	
		33	S6001 - 06032 - 00	BOLT, FLANGE SH.6x32	2	Y		20120423	KMYSZ2BLSDC000001	
		34	S6001 - 06055 - 00	BOLT, FLANGE SH.6x55	1	Y		20120423	KMYSZ2BLSDC000001	
		35	S6001 - 06130 - 00	BOLT, FLANGE SH.6x130	7	Y		20120423	KMYSZ2BLSDC000001	
		36	S6001 - 06145 - 00	BOLT, FLANGE SH.6x145	1	Y		20120423	KMYSZ2BLSDC000001	
		37	S6100 - 60010 - 00	BEARING, RADIAL BALL 6001	1	Y		20120423	KMYSZ2BLSDC000001	

## E - 05

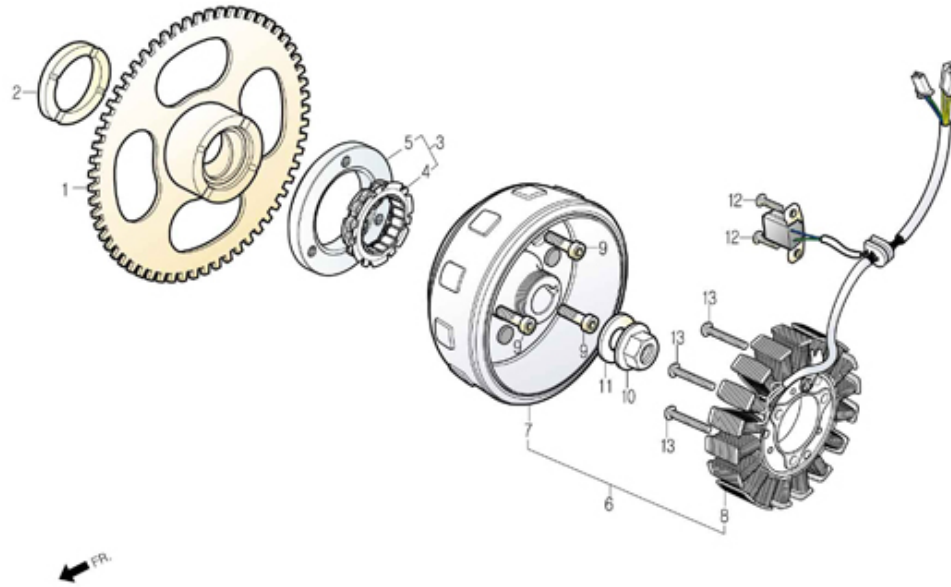
## OIL PUMP



Service item	FRT	Ref. No.	Part No.	Description	QTY	A/S	Exch	Start Date	Start FRM.No	End FRM.No
PUMP ASS'Y, OIL	1.2	1	15100 - SAB - 0000	PUMP ASS'Y, OIL	1	Y		20120423	KMYSZ2BLSDC000001	
GEAR, OIL PUMP DRIVEN	1.2	2	15101 - SAB - 0010	BODY, OIL PUMP	1	N		20120423	KMYSZ2BLSDC000001	
CHAIN, OIL PUMP	1.2	3	15116 - SAB - 0000	PLATE, OIL PUMP	1	N		20120423	KMYSZ2BLSDC000001	
		4	15132 - SAB - 0000	SHAFT, OIL PUMP	1	N		20120423	KMYSZ2BLSDC000001	
		5	15133 - SAB - 0000	SPROCKET, OIL PUMP DRIVEN	1	Y		20120423	KMYSZ2BLSDC000001	
		6	15141 - SAB - 0000	CHAIN, OIL PUMP	1	Y		20120423	KMYSZ2BLSDC000001	
		7	1533A - BA8 - 0000	ROTOR ASS'Y, OIL PUMP	1	Y		20120423	KMYSZ2BLSDC000001	
		8	15331 - BA8 - 0000	ROTOR, OIL PUMP INNER	1	N		20120423	KMYSZ2BLSDC000001	
		9	15332 - BA8 - 0000	ROTOR, OIL PUMP OUTER	1	N		20120423	KMYSZ2BLSDC000001	
		10	15711 - SAB - 0000	SEPARATOR, OIL	1	Y		20120423	KMYSZ2BLSDC000001	
		11	S3500 - 03010 - 1A	SCREW, PAN 3x10	1	Y		20120423	KMYSZ2BLSDC000001	
		12	S4303 - 04065	PIN, DOWEL 4x6.5	1	Y		20120423	KMYSZ2BLSDC000001	
		13	S4510 - 10000	CIR CLIP, EXTERNAL 10mm	1	Y		20120423	KMYSZ2BLSDC000001	
		14	S6001 - 06012 - 00	BOLT, FLANGE SH.6x12	2	Y		20120423	KMYSZ2BLSDC000001	
		15	S6001 - 06028 - 00	BOLT, FLANGE SH.6x28	2	Y		20120423	KMYSZ2BLSDC000001	

## E - 06

## GENERATOR

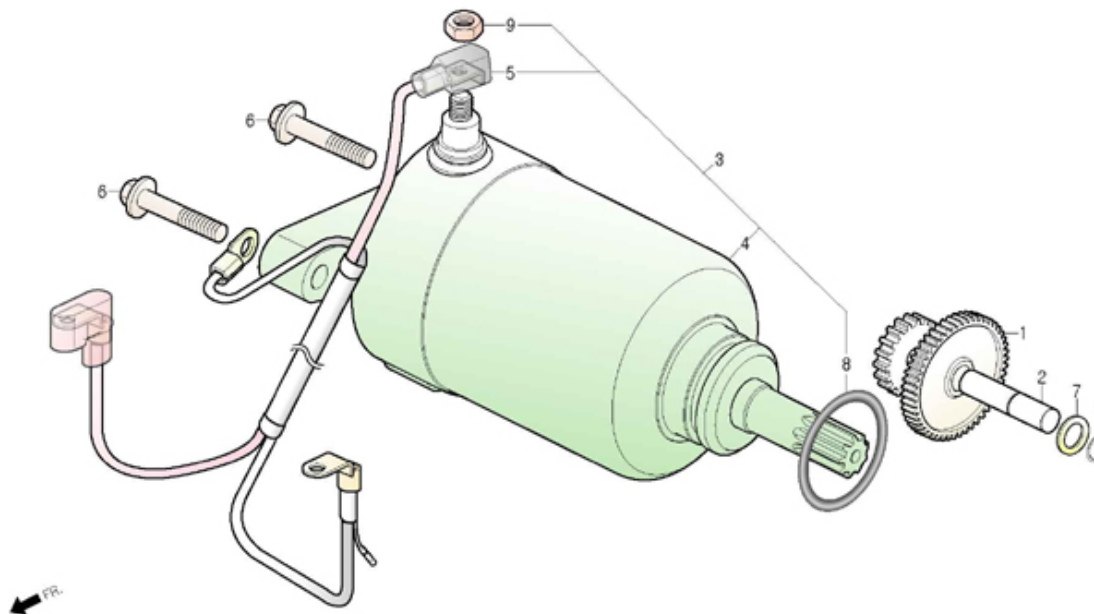


Service item	FRT	Ref. No.	Part No.	Description	QTY	A/S	Exch	Start Date	Start FRM.No	End FRM.No
GEAR COMP., START DRIVEN	1.0	1	28110 - SAB - 0000	GEAR COMP., START DRIVEN	1	Y		20120423	KMYSZ2BLSDC000001	
CLUTCH ASS'Y, START	1.2	2	28114 - BA8 - 0000	COLLAR, STARTER DRIVEN GEAR	1	Y		20120423	KMYSZ2BLSDC000001	
ONEWAY	1.0	3	2812A - SAB - 0000	CLUTCH ASS'Y, START ONEWAY	1	Y		20120423	KMYSZ2BLSDC000001	
STATOR COMP.		4	28126 - SAB - 0000	CLUTCH, ONEWAY	1	N		20120423	KMYSZ2BLSDC000001	
		5	28128 - BA6 - 9010 - M1	OUTER, STARTING CLUTCH	1	N		20120423	KMYSZ2BLSDC000001	
		6	31100 - SAB - 0000	GENERATOR ASS'Y, AC	1	Y		20120423	KMYSZ2BLSDC000001	
		7	31110 - SAB - 0000	FLYWHEEL COMP.	1	Y		20120423	KMYSZ2BLSDC000001	
		8	31120 - SAB - 0000	STATOR COMP.	1	Y		20120423	KMYSZ2BLSDC000001	
		9	90010 - BA6 - 0000	BOLT, SOCKET 8x18	3	Y		20120423	KMYSZ2BLSDC000001	
		10	90231 - BA6 - 8300	NUT, LOCK 16mm	1	Y		20120423	KMYSZ2BLSDC000001	
		11	90462 - BA6 - 0000	WASHER, THRUST 16mm	1	Y		20120423	KMYSZ2BLSDC000001	
		12	S3500 - 05016 - 0A	SCREW, PAN 5x16	2	Y		20120423	KMYSZ2BLSDC000001	
		13	S3500 - 05032 - 0A	SCREW, PAN 5x32	3	Y		20120423	KMYSZ2BLSDC000001	



## E - 07

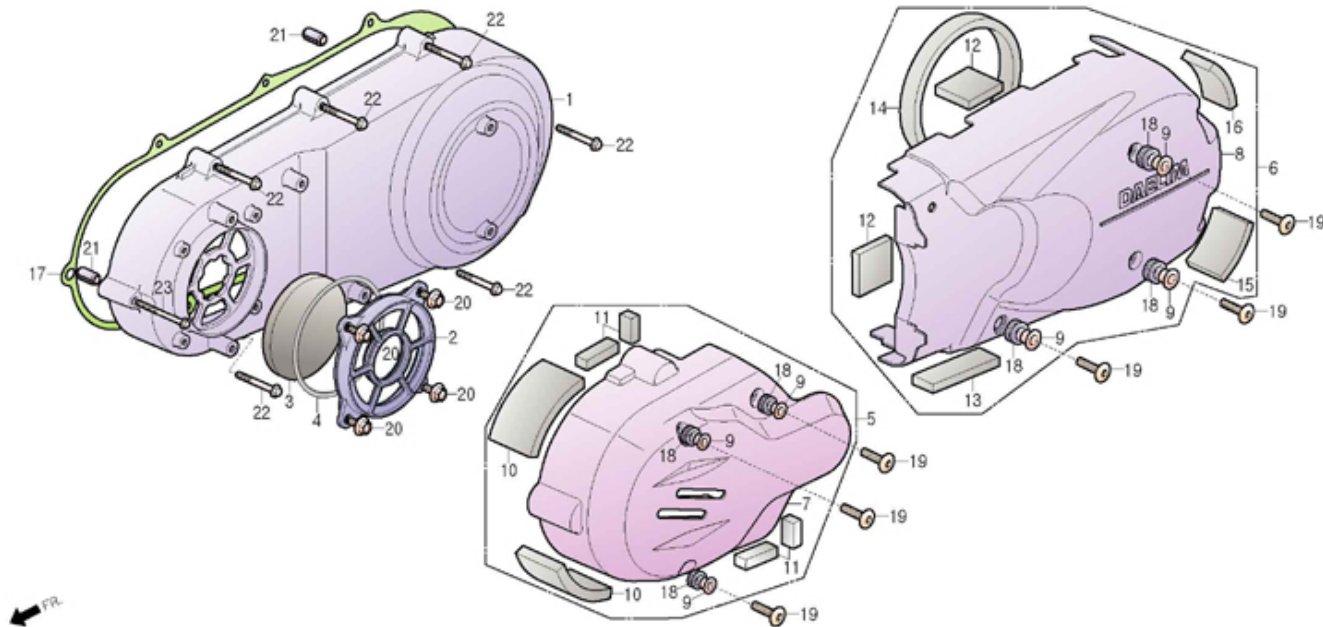
## STARTER MOTOR



Service item	FRT	Ref. No.	Part No.	Description	QTY	A/S	Exch	Start Date	Start FRM.No	End FRM.No
GEAR, STARTER REDUCTION MOTOR ASS'Y, START	1.0	1	28101 - SZ2 - 0000	GEAR, STARTER REDUCTION	1	Y		20120423	KMYSZ2BLSDC000001	
	0.3	2	28102 - SAB - 0000	SHAFT, REDUCTION GEAR	1	Y		20120423	KMYSZ2BLSDC000001	
		3	31200 - SZ2 - 0000	MOTOR ASS'Y, START	1	Y		20120423	KMYSZ2BLSDC000001	
		4	31210 - SZ2 - 0000	MOTOR UNIT, STARTER	1	N		20120423	KMYSZ2BLSDC000001	
		5	32410 - SZ2 - 0000	CABLE, START MOTOR	1	Y		20120423	KMYSZ2BLSDC000001	
		6	90117 - BA6 - 0000	BOLT, FLANGE 6x28	2	Y		20120423	KMYSZ2BLSDC000001	
		7	90459 - BA6 - 0000	WASHER, THRUST 12mm	1	Y		20120423	KMYSZ2BLSDC000001	
		8	91309 - BA6 - 0030	O - RING, 24.4x3.1	1	Y		20120423	KMYSZ2BLSDC000001	
		9	S4002 - 06080 - 0S	NUT, HEX 6mm(Y)	1	N		20120423	KMYSZ2BLSDC000001	
		10	S4510 - 12000	CIR CLIP, EXTERNAL 12mm	1	Y		20120423	KMYSZ2BLSDC000001	

## E - 08

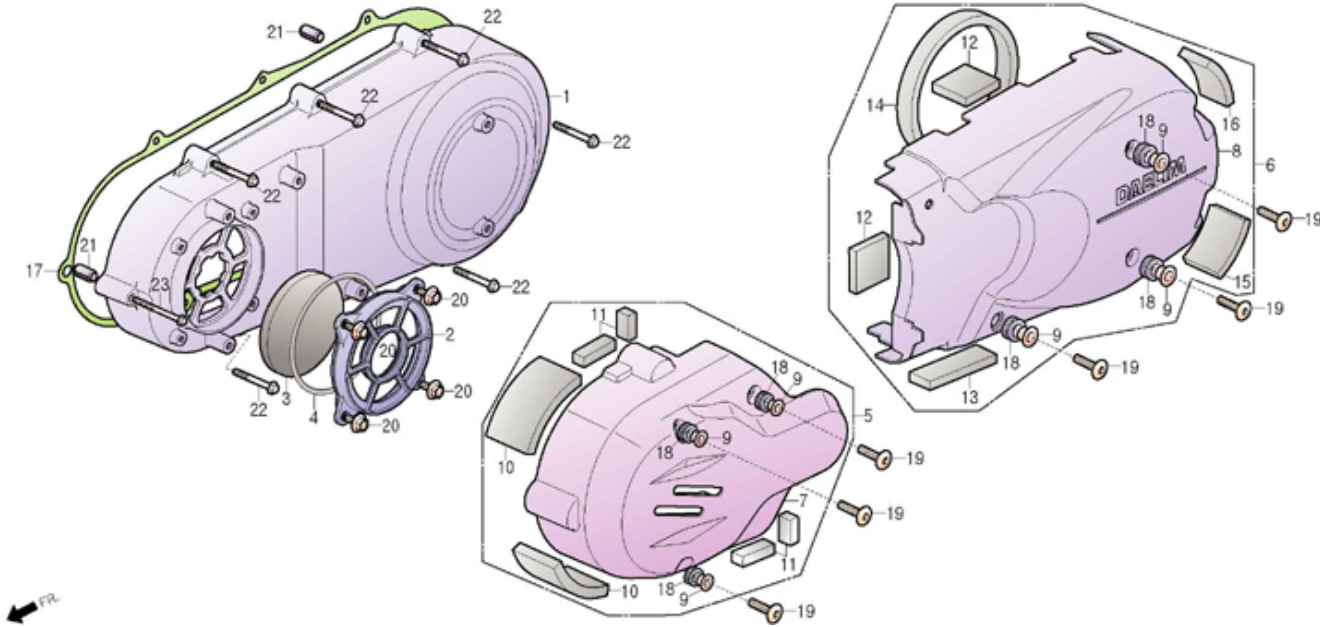
## LEFT CRANK CASE COVER



Service item	FRT	Ref. No.	Part No.	Description	QTY	A/S	Exch	Start Date	Start FRM.No	End FRM.No
COVER, LH.CRANK CASE	0.2	1	11341 - SZ2 - 0000	COVER, LH. CRANK CASE	1	Y		20120423	KMYSZ2BLSDC000001	
ELEMENT, CVT DUST COVER	0.2	2	11352 - SZ2 - 0000	COVER, CVT DUST	1	Y		20120423	KMYSZ2BLSDC000001	
		3	11355 - SZ2 - 0000	ELEMENT, CVT DUST COVER	1	Y		20120423	KMYSZ2BLSDC000001	
		4	11357 - SZ2 - 0000	SEAL, CVT DUST COVER	1	Y		20120423	KMYSZ2BLSDC000001	
		5	1136A - SZ2 - 0000	COVER ASS'Y, FR.CVT UPPER	1	Y		20120423	KMYSZ2BLSDC000001	
		6	1136B - SZ2 - 0000	COVER ASS'Y, RR.CVT UPPER	1	Y		20120423	KMYSZ2BLSDC000001	
		7	11361 - SZ2 - 0000	COVER, FR.CVT UPPER	1	Y		20120423	KMYSZ2BLSDC000001	
		8	11362 - SZ2 - 0000	COVER, RR.CVT UPPER	1	Y		20120423	KMYSZ2BLSDC000001	
		9	11364 - SZ2 - 0000	COLLAR, CVT UPPER COVER	6	Y		20120423	KMYSZ2BLSDC000001	
		10	11371 - SZ2 - 0000	MAT A, CVT UPPER COVER	2	Y		20120423	KMYSZ2BLSDC000001	
		11	11372 - SZ2 - 0000	MAT B, CVT UPPER COVER	4	Y		20120423	KMYSZ2BLSDC000001	
		12	11373 - SZ2 - 0000	MAT C, CVT UPPER COVER	2	Y		20120423	KMYSZ2BLSDC000001	
		13	11374 - SZ2 - 0000	MAT D, CVT UPPER COVER	1	Y		20120423	KMYSZ2BLSDC000001	
		14	11375 - SZ2 - 0000	MAT E, CVT UPPER COVER	1	Y		20120423	KMYSZ2BLSDC000001	
		15	11376 - SZ2 - 0000	MAT F, CVT UPPER COVER	1	Y		20120423	KMYSZ2BLSDC000001	
		16	11377 - SZ2 - 0000	MAT G, CVT UPPER COVER	1	Y		20120423	KMYSZ2BLSDC000001	
		17	11395 - SZ2 - 0000	GASKET, LH.CRANKCASE COVER	1	Y		20120423	KMYSZ2BLSDC000001	
		18	84303 - BA1 - 0000	RUBBER A, FR.METER COVER SET	6	Y		20120423	KMYSZ2BLSDC000001	
		19	90107 - BZ1 - 0000	BOLT SPECIAL, 6x22(black)	6	Y		20120423	KMYSZ2BLSDC000001	
		20	90111 - SE5 - 1000	BOLT, FLANGE 6mm	4	Y		20120423	KMYSZ2BLSDC000001	
		21	90704 - SC1 - 9500	PIN, KNOCK(10x19)	2	Y		20120423	KMYSZ2BLSDC000001	

# E - 08

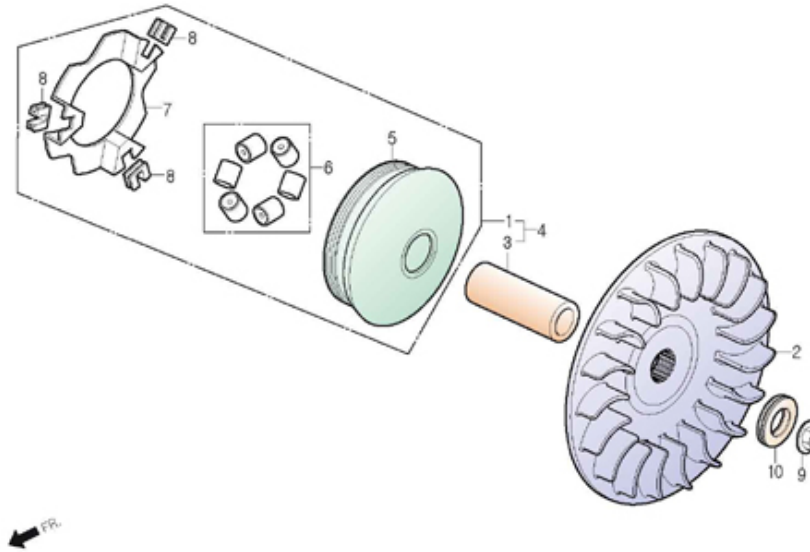
## LEFT CRANK CASE COVER



Service item	FRT	Ref. No.	Part No.	Description	QTY	A/S	Exch	Start Date	Start FRM.No	End FRM.No
		22	S6001 - 06040 - 00	BOLT, FLANGE SH.6x40	6	Y		20120423	KMYSZ2BLSDC000001	
		23	S6001 - 06060 - 00	BOLT, FLANGE SH.6x60	1	Y		20120423	KMYSZ2BLSDC000001	

## E - 09

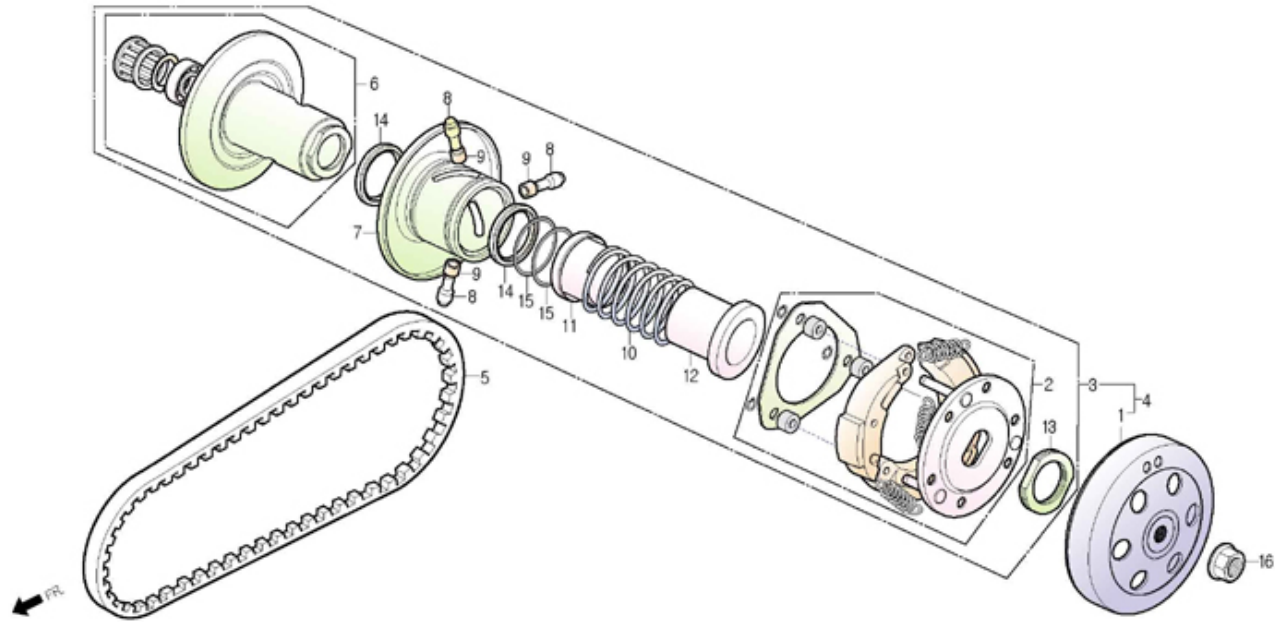
## DRIVE FACE



Service item	FRT	Ref. No.	Part No.	Description	QTY	A/S	Exch	Start Date	Start FRM.No	End FRM.No
FACE, DRIVE	0.4	1	22010 - SZ2 - 0000	FACE ASS'Y, MOVABLE DRIVE	1	N	Y	20120423	KMYSZ2BLSDC000001	KMYSZ2BLSDC000408
BOSS, DRIVE FACE	0.4		22010 - SZ2 - RZ00	FACE ASS'Y, MOVABLE DRIVE	1	N		20121018	KMYSZ2BLSDC000409	
FACE COMP., MOVABLE DRIVE	0.4	2	22102 - SZ2 - 0000	FACE, DRIVE	1	Y		20120423	KMYSZ2BLSDC000001	
ROLLER COMP., WEIGHT	0.5	3	22105 - SZ2 - 0000	BOSS, DRIVE FACE	1	N		20120423	KMYSZ2BLSDC000001	
		4	2211A - SZ2 - 0000	FACE SET, MOVABLE DRIVE	1	N	Y	20120423	KMYSZ2BLSDC000001	KMYSZ2BLSDC000408
			2211A - SZ2 - RZ00	FACE SET, MOVABLE DRIVE	1	N		20121018	KMYSZ2BLSDC000409	
		5	22110 - SZ2 - 0000	FACE COMP., MOVABLE DRIVE	1	Y		20120423	KMYSZ2BLSDC000001	
		6	22121 - SZ2 - 0000	ROLLER COMP., WEIGHT 25g	6	Y		20120423	KMYSZ2BLSDC000001	KMYSZ2BLSDC000408
			22121 - SZ2 - 0000 - B1	ROLLER COMP., WEIGHT	6	Y		20121018	KMYSZ2BLSDC000409	
		7	22131 - SZ2 - 0000	PLATE, RAMP	1	Y		20120423	KMYSZ2BLSDC000001	
		8	22132 - SZ2 - 0000	PIECE, SLIDE	3	Y		20120423	KMYSZ2BLSDC000001	
		9	90201 - SZ2 - 0000	NUT, SPECIAL FLANGE 14mm	1	Y		20120423	KMYSZ2BLSDC000001	
		10	90401 - SZ2 - 0000	WASHER, THRUST 14x28x2	1	Y		20120423	KMYSZ2BLSDC000001	

# E - 10

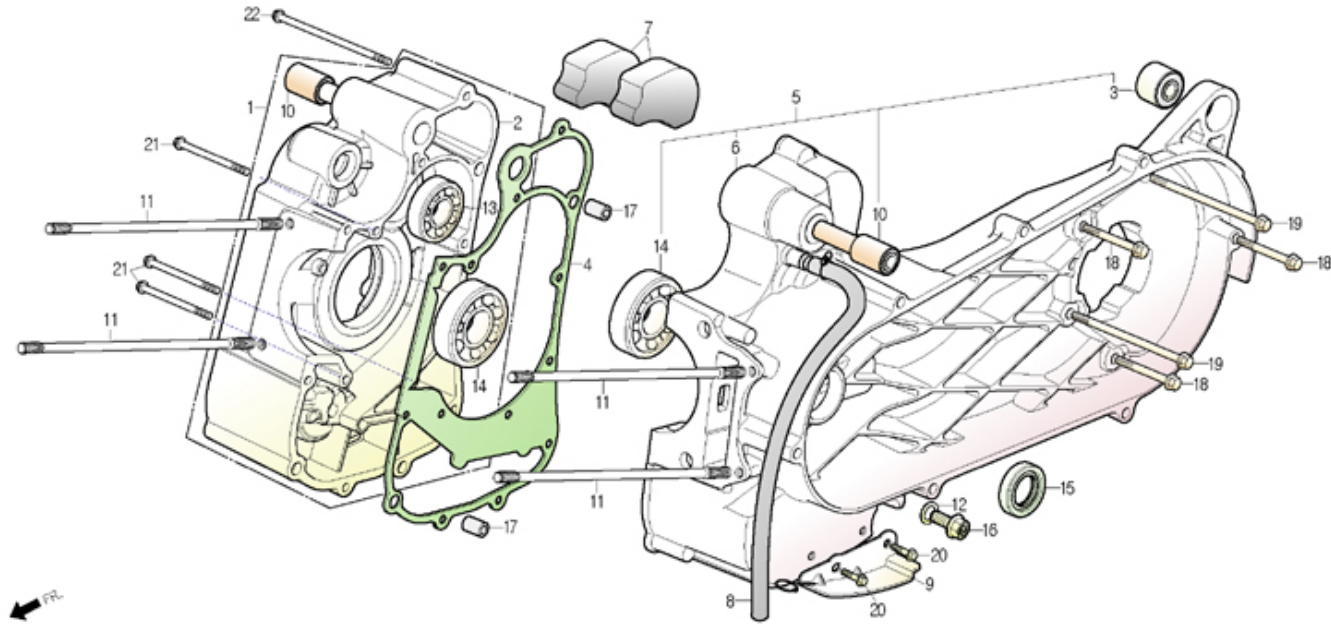
DRIVEN FACE



Service item	FRT	Ref. No.	Part No.	Description	QTY	A/S	Exch	Start Date	Start FRM.No	End FRM.No
OUTER, CLUTCH PLATE ASS'Y, DRIVE	0.4	1	22100 - SZ2 - 0000	OUTER, CLUTCH	1	Y		20120423	KMYSZ2BLSDC000001	
BELT, DRIVE	0.6	2	22300 - SZ2 - 0000	PLATE ASS'Y, DRIVE	1	Y		20120423	KMYSZ2BLSDC000001	
FACE ASS'Y, DRIVEN	0.4	3	2301A - SZ2 - 0000	PULLEY SUB ASS'Y, DRIVEN	1	N		20120423	KMYSZ2BLSDC000001	
PULLEY SUB ASS'Y, DRIVEN	0.6	4	23010 - SZ2 - 0000	PULLEY ASS'Y, DRIVEN	1	Y		20120423	KMYSZ2BLSDC000001	
	0.4	5	23100 - SZ2 - 0000 - M1	BELT, DRIVE	1	Y		20120423	KMYSZ2BLSDC000001	
		6	23200 - SZ2 - 0000	FACE ASS'Y, DRIVEN	1	N		20120423	KMYSZ2BLSDC000001	
		7	23220 - SZ2 - 0000	FACE COMP., MOVABLE DRIVEN.	1	N		20120423	KMYSZ2BLSDC000001	
		8	23225 - SZ2 - 0000	PIN, ROLLER GUIDE	3	N		20120423	KMYSZ2BLSDC000001	
		9	23226 - SZ2 - 0000	ROLLER, GUIDE	3	N		20120423	KMYSZ2BLSDC000001	
		10	23233 - SZ2 - 0000	SPRING, DRIVEN FACE	1	N		20120423	KMYSZ2BLSDC000001	
		11	23237 - SZ2 - 0000	COLLAR, SEAL	1	N		20120423	KMYSZ2BLSDC000001	
		12	23238 - SZ2 - 0000	COLLAR, SPRING	1	N		20120423	KMYSZ2BLSDC000001	
		13	90202 - SE5 - 0000	NUT, SPECIAL 28mm	1	Y		20120423	KMYSZ2BLSDC000001	
		14	91211 - SZ2 - 0000	OIL SEAL, 34x39x3	2	Y		20120423	KMYSZ2BLSDC000001	
		15	91351 - SZ2 - 0000	O - RING 38.5x2	2	Y		20120423	KMYSZ2BLSDC000001	
		16	S4050 - 12080	NUT, FLANGE 12mm	1	Y		20120423	KMYSZ2BLSDC000001	

## E - 11

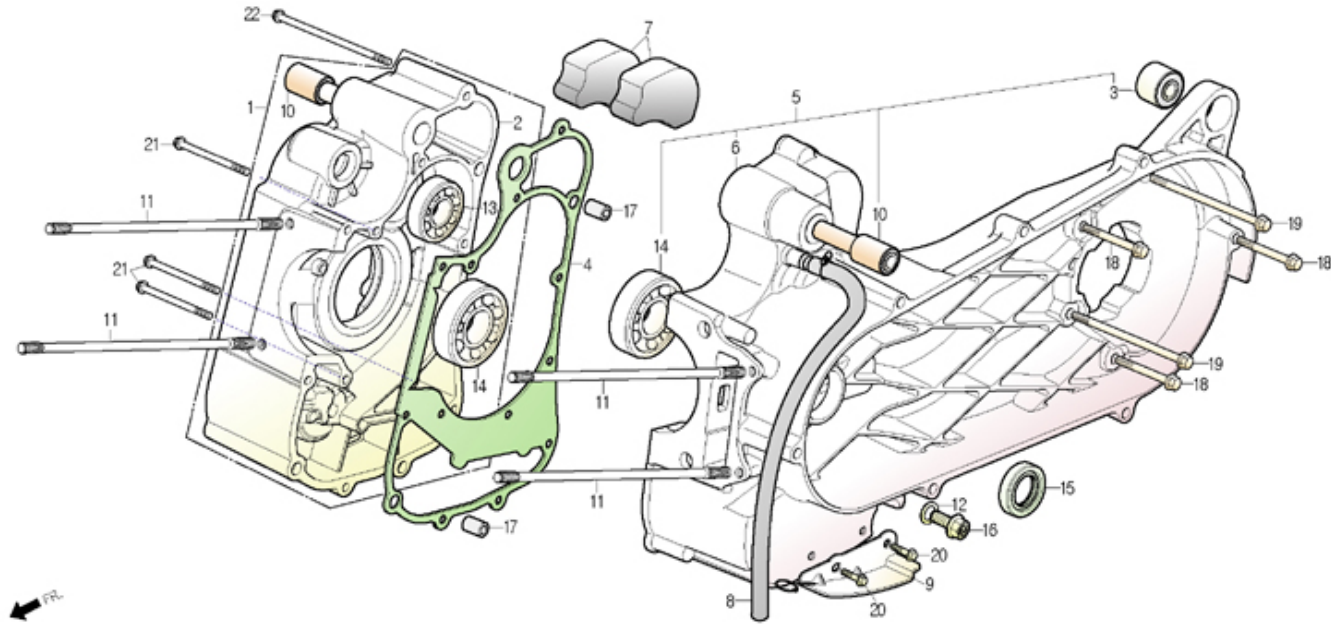
## CRANK CASE



Service item	FRT	Ref. No.	Part No.	Description	QTY	A/S	Exch	Start Date	Start FRM.No	End FRM.No
CASE COMP., RH.CRANK	*3.0	1	1110A - SZ2 - 0000	CASE ASS'Y, RH.CRANK	1	Y		20120423	KMYSZ2BLSDC000001	
CASE COMP., LH.CRANK	3.0	2	11100 - SZ2 - 0000	CASE COMP., RH.CRANK	1	N		20120423	KMYSZ2BLSDC000001	
BEARING, RADIAL BALL 6207	3.0	3	11102 - SE5 - 0040 - M1	RUBBER BUSH, ENGINE HANGER	1	Y		20120423	KMYSZ2BLSDC000001	
OIL SEAL 25x42x7	0.7	4	11191 - SZ2 - 0000	GASKET, CRANK CASE	1	Y		20120423	KMYSZ2BLSDC000001	
		5	1120A - SZ2 - 0000	CASE ASS'Y, LH.CRANK	1	Y		20120423	KMYSZ2BLSDC000001	
		6	11200 - SZ2 - 0000	CASE COMP., LH.CRANK	1	N		20120423	KMYSZ2BLSDC000001	
		7	11397 - SZ2 - 0000	ELEMENT, OIL BREATH	2	Y		20120423	KMYSZ2BLSDC000001	
		8	15761 - SAB - 0000	TUBE, BREATHER	1	Y		20120423	KMYSZ2BLSDC000001	
		9	50502 - SAB - 0000	STAY, MAIN STAND STOPPER	1	Y		20120423	KMYSZ2BLSDC000001	
		10	52147 - SZ1 - 0000	BUSH A, ENGINE HANGER RUBBER	2	Y		20120423	KMYSZ2BLSDC000001	
		11	90031 - BZ1 - 0000	BOLT, CYLINDER STUD	4	Y		20120423	KMYSZ2BLSDC000001	
		12	90407 - BA6 - 0000	PACKING, DRAIN COCK 12.5x20	1	Y		20120423	KMYSZ2BLSDC000001	
		13	91003 - SZ2 - 0000	BEARING, RADIAL BALL 6204 TMB	1	N	Y	20120423	KMYSZ2BLSDC000001	KMYSZ2BLS000001
			91003 - SZ2 - 0000 - M1	BEARING, RADIAL BALL 6204 TMB(NTN)	1	Y		20120423	KMYSZ2BLSDC000001	
		14	91005 - BA6 - 9610 - M1	BEARING, RADIAL BALL 6207	2	Y		20120423	KMYSZ2BLSDC000001	
		15	91202 - SA1 - 0100	OIL SEAL 25x42x7	1	Y		20120423	KMYSZ2BLSDC000001	
		16	S2800 - 12000	BOLT, DRAIN PLUG 12mm	1	Y		20120423	KMYSZ2BLSDC000001	
		17	S4301 - 10160	PIN, DOWEL 10x16	2	Y		20120423	KMYSZ2BLSDC000001	
		18	S5801 - 08035 - 00	BOLT, FLANGE 8x35	3	Y		20120423	KMYSZ2BLSDC000001	
		19	S5801 - 08080 - 00	BOLT, FLANGE 8x80	2	Y		20120423	KMYSZ2BLSDC000001	
		20	S6001 - 06016 - 00	BOLT, FLANGE SH.6x16	2	Y		20110410	KMYSZ2BLSDC000001	

# E - 11

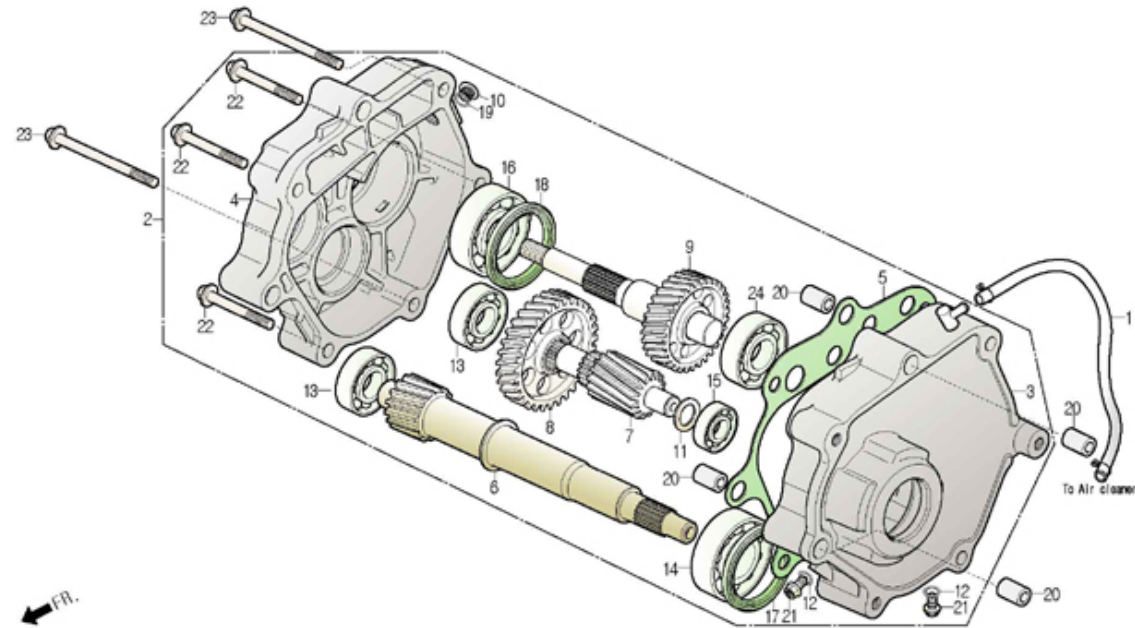
## CRANK CASE



Service item	FRT	Ref. No.	Part No.	Description	QTY	A/S	Exch	Start Date	Start FRM.No	End FRM.No
		21	S6001 - 06055 - 00	BOLT, FLANGE SH.6x55	3	Y		20120423	KMYSZ2BLSDC000001	
		22	S6001 - 06080 - 00	BOLT, FLANGE SH.6x80	1	Y		20120423	KMYSZ2BLSDC000001	

## E - 12

## TRANSMISSION

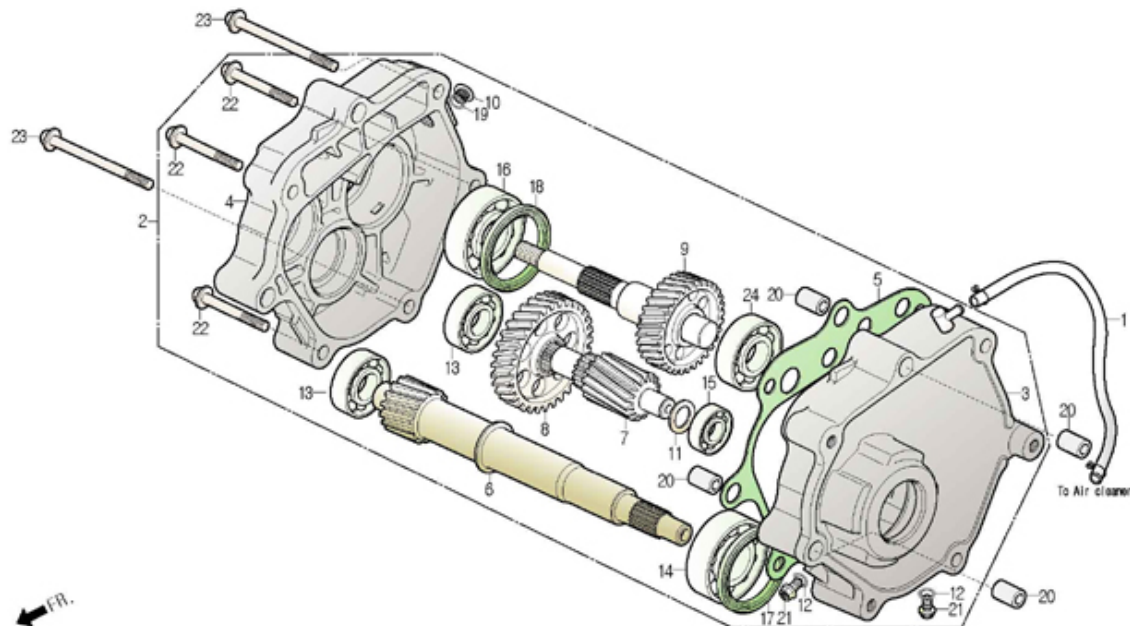


Service item	FRT	Ref. No.	Part No.	Description	QTY	A/S	Exch	Start Date	Start FRM.No	End FRM.No
TRANSMISSION ASS'Y	1.0	1	1122A - SAB - 0000	TUBE ASS'Y, BREATHER	1	Y		20120423	KMYSZ2BLSDC000001	
COVER, TRANSMISSION	0.9	2	2130A - SZ2 - 0000	TRANSMISSION ASS'Y	1	Y		20120423	KMYSZ2BLSDC000001	
BEARING, RADIAL BALL 6302	0.9	3	21300 - SAB - 0000	CASE COMP., TRANSMISSION	1	Y		20120423	KMYSZ2BLSDC000001	
BEARING, RADIAL BALL 6205ZZ	1.0	4	21301 - SAB - 0000	COVER, TRANSMISSION	1	Y		20120423	KMYSZ2BLSDC000001	
SEAL, OIL 34x52x7	1.0	5	21395 - SAB - 0000	GASKET, MISSION COVER	1	Y		20120423	KMYSZ2BLSDC000001	
CASE COMP., TRANSMISSION	1.0	6	23411 - SZ2 - 0000	SHAFT, DRIVE(15T)	1	Y		20120423	KMYSZ2BLSDC000001	
BEARING, RADIAL BALL 62/22		7	23421 - SZ2 - 0000	SHAFT, COUNTER(14T)	1	Y		20120423	KMYSZ2BLSDC000001	
BEARING, RADIAL BALL 6204		8	23422 - SZ2 - 0000	GEAR, COUNTER(38T)	1	Y		20120423	KMYSZ2BLSDC000001	
BEARING, BALL 6301		9	23430 - SZ2 - 0000	SHAFT COMP., FINAL(37T)	1	Y		20120423	KMYSZ2BLSDC000001	
SHAFT, DRIVE		10	90084 - CB2 - 8300	CAP, AC GENERATOR	1	Y		20120423	KMYSZ2BLSDC000001	
SHAFT COMP., FINAL		11	90459 - BA6 - 0000	WASHER, THRUST 12mm	1	Y		20120423	KMYSZ2BLSDC000001	
SHAFT, COUNTER		12	90474 - SA0 - 0000	WASHER, DRAIN PLUG 8.2x16.2	2	Y		20120423	KMYSZ2BLSDC000001	
		13	91001 - SZ2 - 0000	BEARING, RADIAL BALL 6302 TMB	2	N	Y	20120423	KMYSZ2BLSDC000001	KMYSZ2BLS000001
		14	91001 - SZ2 - 0000 - M1	BEARING, RADIAL BALL 6302 TMB (NTN)	2	Y		20120423	KMYSZ2BLSDC000001	
		14	91002 - SZ2 - 0000	BEARING, RADIAL BALL 6222 TMB	2	N	Y	20120423	KMYSZ2BLSDC000001	KMYSZ2BLS000001
		14	91002 - SZ2 - 0000 - M1	BEARING, RADIAL BALL 6222 TMB(NTN)	2	Y		20120423	KMYSZ2BLSDC000001	
		15	91009 - SAB - 0000	BEARING, RADIAL BALL 6205ZZ	1	Y		20120423	KMYSZ2BLSDC000001	
		16	91203 - SZ2 - 0000	SEAL, OIL 22x39x7(HELIX)	1	Y		20120423	KMYSZ2BLSDC000001	
		17	91255 - SAB - 0000	SEAL, OIL 34x52x7	1	Y		20120423	KMYSZ2BLSDC000001	
		18	91303 - CB2 - 1000	O - RING, 13.8x2.5	1	Y		20120423	KMYSZ2BLSDC000001	
		19	S4301 - 12160	PIN, DOWEL 12x16	4	Y		20120423	KMYSZ2BLSDC000001	



# E - 12

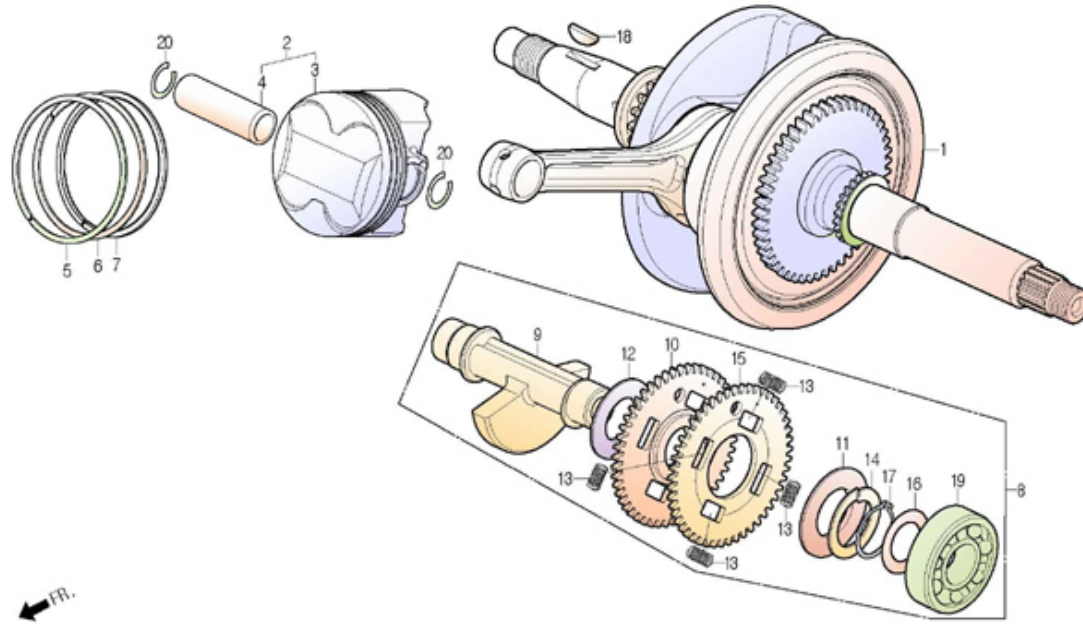
## TRANSMISSION



Service item	FRT	Ref. No.	Part No.	Description	QTY	A/S	Exch	Start Date	Start FRM.No	End FRM.No
		20	S5701 - 08016 - 00	BOLT, FLANGE 8x16	2	Y		20120423	KMYSZ2BLSDC000001	
		21	S5701 - 08050 - 00	BOLT, FLANGE 8x50	3	Y		20120423	KMYSZ2BLSDC000001	
		22	S5801 - 08085 - 00	BOLT, FLANGE 8x85	2	Y		20120423	KMYSZ2BLSDC000001	
		23	S6100 - 62040 - 00	BEARING, RADIAL BALL 6204	1	Y		20120423	KMYSZ2BLSDC000001	

## E - 13

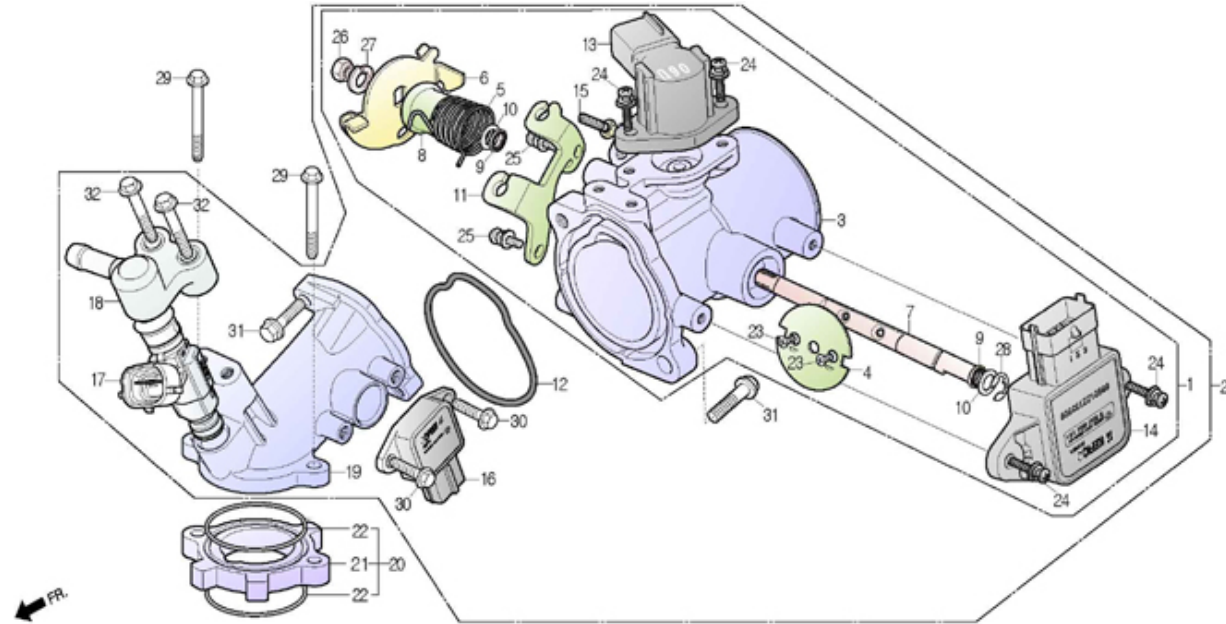
## CRANK SHAFT / PISTON



Service item	FRT	Ref. No.	Part No.	Description	QTY	A/S	Exch	Start Date	Start FRM.No	End FRM.No
SHAFT COMP., CRANK	3.0	1	13000 - SZ2 - 0000	SHAFT COMP., CRANK	1	Y		20120423	KMYSZ2BLSDC000001	
RING, PISTON	2.0	2	1310A - BZ1 - 0000	PISTON SET (A)	1	Y		20120423	KMYSZ2BLSDC000001	
BALANCER ASS'Y, CRANK	3.0	3	13101 - BZ1 - 0000	PISTON	1	N		20120423	KMYSZ2BLSDC000001	
		4	13111 - BZ1 - 0000	PIN, PISTON	1	N		20120423	KMYSZ2BLSDC000001	
		5	13121 - BZ1 - 0000 - M1	RING, PISTON TOP	1	Y		20120423	KMYSZ2BLSDC000001	
		6	13131 - BZ1 - 0000 - M1	RING, PISTON 2ND	1	Y		20120423	KMYSZ2BLSDC000001	
		7	13141 - BZ1 - 0000 - M1	RING, PISTON OIL	1	Y		20120423	KMYSZ2BLSDC000001	
		8	13400 - SZ2 - 0000	BALANCER ASS'Y, CRANK	1	Y		20120423	KMYSZ2BLSDC000001	
		9	13410 - SZ2 - 0000	BALANCER, CRANK	1	Y		20120423	KMYSZ2BLSDC000001	
		10	13411 - SZ2 - 0000	GEAR, BALANCER DRIVEN	1	Y		20120423	KMYSZ2BLSDC000001	
		11	13413 - BA8 - 0000	PLATE, BALANCER GEAR SIDE	1	Y		20120423	KMYSZ2BLSDC000001	
		12	13413 - BZ1 - 0000	PLATE, BALANCER GEAR SIDE	1	Y		20120423	KMYSZ2BLSDC000001	
		13	13414 - SZ2 - 0000	SPRING, BALANCE GEAR	4	Y		20120423	KMYSZ2BLSDC000001	
		14	13416 - BZ1 - 0000	WASHER, SPRING	1	Y		20120423	KMYSZ2BLSDC000001	
		15	13418 - SZ2 - 0000	SUB GEAR, BALANCER DRIVEN	1	Y		20120423	KMYSZ2BLSDC000001	
		16	90454 - BA6 - 0000	WASHER, THRUST 20mm	1	Y		20120423	KMYSZ2BLSDC000001	
		17	90605 - BA6 - 0000	SET RING, 20mm	1	Y		20120423	KMYSZ2BLSDC000001	
		18	90741 - BA6 - 9600	KEY, WOODRUFF 25x14x4	1	Y		20120423	KMYSZ2BLSDC000001	
		19	91003 - SZ2 - 0000	BEARING, RADIAL BALL 6204 TMB	1	N	Y	20120423	KMYSZ2BLSDC000001	KMYSZ2BLS000001
			91003 - SZ2 - 0000 - M1	BEARING, RADIAL BALL 6204 TMB (NTN)	1	Y		20120423	KMYSZ2BLSDC000001	
		20	S4601 - 17000	CLIP, PISTON PIN 17mm	2	Y		20120423	KMYSZ2BLSDC000001	

## E - 14

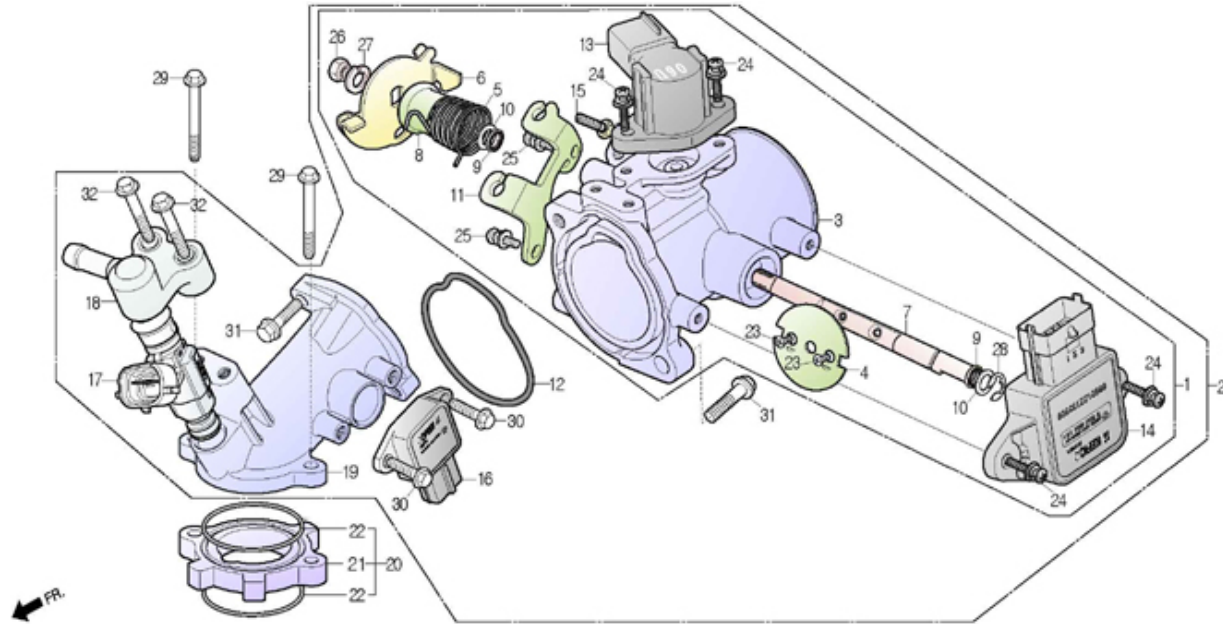
## THROTTLE BODY



Service item	FRT	Ref. No.	Part No.	Description	QTY	A/S	Exch	Start Date	Start FRM.No	End FRM.No
BODY ASS'Y, THROTTLE	0.5	1	1620A - SZ2 - 0000	BODY ASS'Y, THROTTLE	1	Y		20120423	KMYSZ2BLSDC000001	
		2	1620B - SZ2 - 0000	BODY SET, THROTTLE	1	Y		20120423	KMYSZ2BLSDC000001	
		3	16200 - BZ1 - 0010	BODY, THROTTLE	1	N		20120423	KMYSZ2BLSDC000001	
		4	16202 - BZ1 - 0010	VALVE, THROTTLE	1	N		20120423	KMYSZ2BLSDC000001	
		5	16203 - BA1 - R300	SPRING, THROTTLE RETURN	1	N		20120423	KMYSZ2BLSDC000001	
		6	16204 - SZ2 - 0000	LEVER COMP., THROTTLR	1	N		20120423	KMYSZ2BLSDC000001	
		7	16205 - BZ1 - 0000	SHAFT, THROTTLE	1	N		20120423	KMYSZ2BLSDC000001	
		8	16206 - BA1 - R300	COLLAR, THROTTLE RETURN SPRING	1	N		20120423	KMYSZ2BLSDC000001	
		9	16207 - BA1 - R300	SEAL, OIL	2	Y		20120423	KMYSZ2BLSDC000001	
		10	16208 - BA1 - R300	COLLAR, SIDE	2	N		20120423	KMYSZ2BLSDC000001	
		11	16209 - SZ2 - 0000	PLATE, THROTTLE ANCHOR	1	N		20120423	KMYSZ2BLSDC000001	
		12	16217 - BZ1 - 0000	O - RING, THROTTLE BODY	1	Y		20120423	KMYSZ2BLSDC000001	
		13	16220 - BA1 - R310 - M1	ACTUATOR, IDLE SPEED	1	Y		20120423	KMYSZ2BLSDC000001	
		14	16230 - BA1 - R300 - M1	SENSOR, THROTTLE POSITION	1	Y		20120423	KMYSZ2BLSDC000001	
		15	16237 - BZ1 - 0000 - M1	SCREW, ADJUST	1	Y		20120423	KMYSZ2BLSDC000001	
		16	16240 - BA1 - R300 - M1	SENSOR, MAP & AT	1	Y		20120423	KMYSZ2BLSDC000001	
		17	16300 - BZ1 - 0000 - M1	INJECTOR ASS'Y	1	Y		20120423	KMYSZ2BLSDC000001	
		18	16500 - SAB - 0010	CAP COMP., INJECTOR	1	Y		20120423	KMYSZ2BLSDC000001	
		19	17101 - SZ2 - 0000	PIPE, INLET	1	Y		20120423	KMYSZ2BLSDC000001	
		20	1712A - SZ2 - 0000	INSULATOR ASS'Y, INLET PIPE	1	Y		20120423	KMYSZ2BLSDC000001	

## E - 14

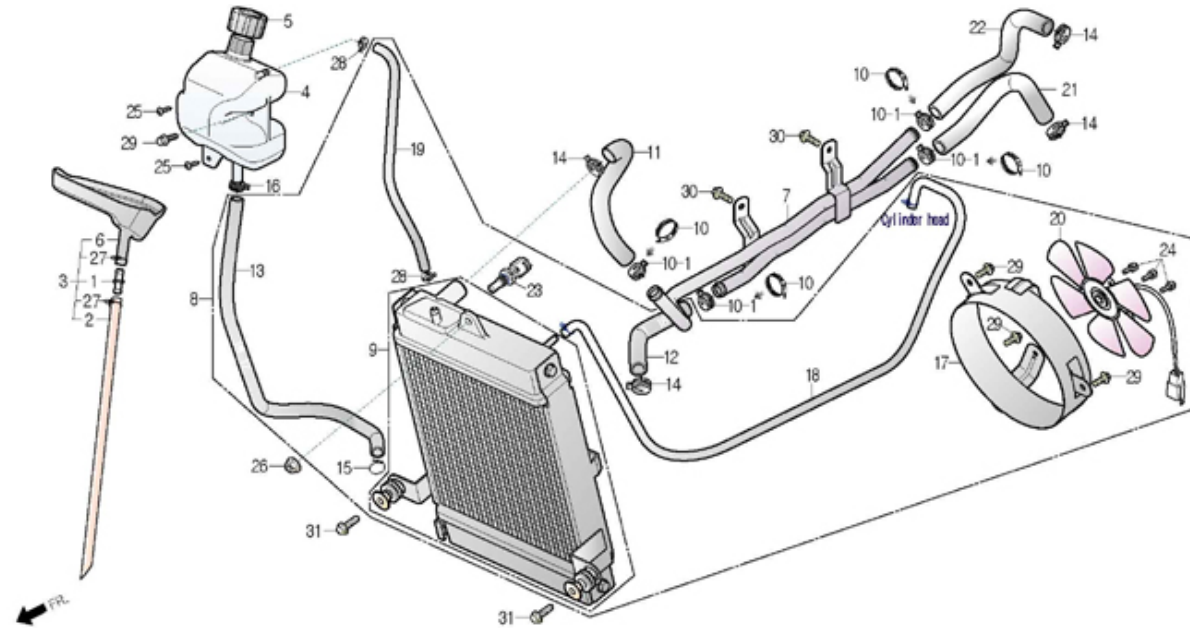
## THROTTLE BODY



Service item	FRT	Ref. No.	Part No.	Description	QTY	A/S	Exch	Start Date	Start FRM.No	End FRM.No
		21	17122 - SZ2 - 0000	INSULATOR, INLET PIPE	1	Y		20120423	KMYSZ2BLSDC000001	
		22	17123 - SZ2 - 0000	O - RING, 43x2.0	2	Y		20120423	KMYSZ2BLSDC000001	
		23	S3600 - 03005	SCREW, FLAT 3x5	2	N		20120423	KMYSZ2BLSDC000001	
		24	S3893 - 04008 - 00	SCREW, WASH 4x8	4	Y		20120423	KMYSZ2BLSDC000001	
		25	S3893 - 05010 - 18	SCREW, WASH 5x10	2	Y		20120423	KMYSZ2BLSDC000001	
		26	S4001 - 08000 - 0S	NUT, HEX 8mm	1	N		20120423	KMYSZ2BLSDC000001	
		27	S4111 - 08800	WASHER, SPRING 8mm	1	N		20120423	KMYSZ2BLSDC000001	
		28	S4540 - 06018	E - RING 6mm	1	N		20120423	KMYSZ2BLSDC000001	
		29	S5701 - 06032 - 00	BOLT, FLANGE 6x32	2	Y		20120423	KMYSZ2BLSDC000001	
		30	S6001 - 06016 - 00	BOLT, FLANGE, SH.6x16	2	Y		20120423	KMYSZ2BLSDC000001	
		31	S6001 - 06022 - 00	BOLT, FLANGE SH. 6x22	2	Y		20120423	KMYSZ2BLSDC000001	
		32	S6001 - 06025 - 00	BOLT, FLANGE, SH.6x25	2	Y		20120423	KMYSZ2BLSDC000001	

# E - 15

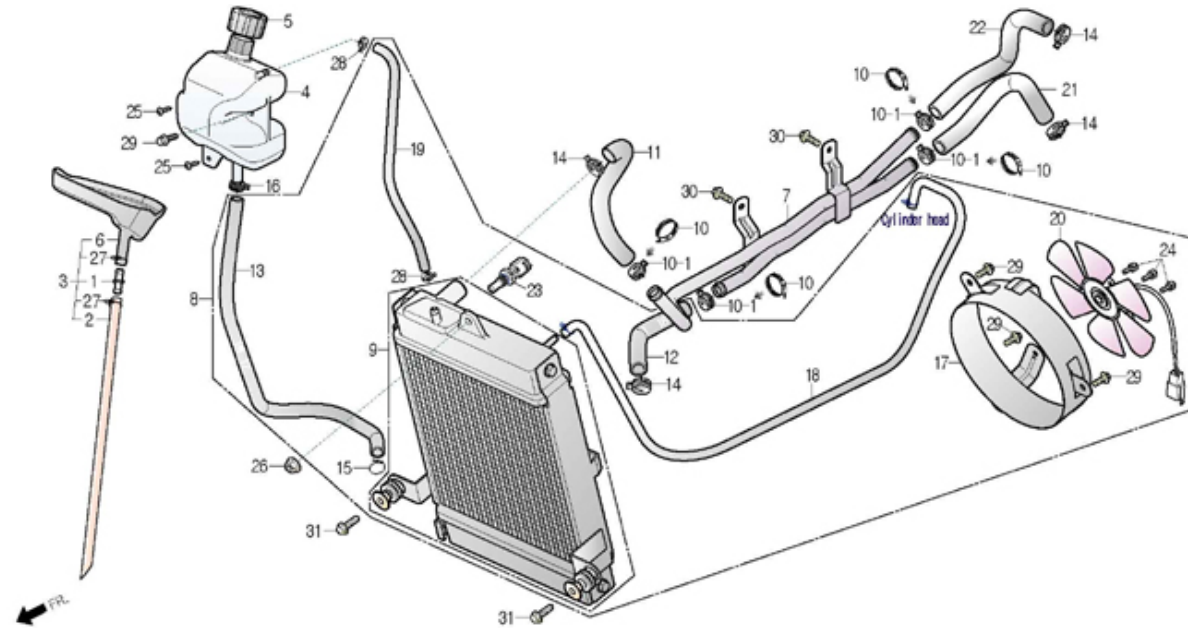
## RADIATOR & HOSE



Service item	FRT	Ref. No.	Part No.	Description	QTY	A/S	Exch	Start Date	Start FRM.No	End FRM.No
RADIATOR ASS'Y	1.0	1	16031 - SAB - 0000	JOINT, FUEL STRAIGHT	1	N		20120423	KMYSZ2BLSDC000001	
HOSE A, RADIATOR	1.0	2	17519 - SAB - 0010	VINYL TUBE 6x9x430	1	N		20120423	KMYSZ2BLSDC000001	
HOSE B, RADIATOR	1.0	3	1910B - SZ2 - 0000	GUIDE ASS'Y, RESERVE TANK	1	Y		20120423	KMYSZ2BLSDC000001	
TUBE ASS'Y, WATER PASS	1.0	4	19101 - SZ2 - 0010	TANK, RESERVE	1	Y		20120423	KMYSZ2BLSDC000001	
MOTOR ASS'Y, FAN TANK, RESERVE	1.2 0.6	5	19105 - SAB - 0000	CAP, RESERVE TANK	1	Y		20120423	KMYSZ2BLSDC000001	
		6	19106 - SZ2 - 0000	RUBBER, RESERVE TANK GUIDE	1	Y		20120423	KMYSZ2BLSDC000001	
		7	19120 - SAB - 0000	PIPE COMP., WATER	1	Y		20120423	KMYSZ2BLSDC000001	
		8	1930A - SAB - 0000	RADIATOR ASS'Y	1	Y		20120423	KMYSZ2BLSDC000001	
		9	19300 - SAB - 0000	RADIATOR COMP.	1	Y		20120423	KMYSZ2BLSDC000001	
		10	19307 - SAB - 0000	CLAMP B25, HOSE	4	N	Y	20120423	KMYSZ2BLSDC000001	KMYSZ2BLSDC000541
		10 - 1	19358 - SZ2 - 0000 - M1	CLIP C22, TUBE	4	Y		20121114	KMYSZ2BLSDC000542	
		11	19315 - SAB - 0000	HOSE A, RADIATOR	1	Y		20120423	KMYSZ2BLSDC000001	
		12	19316 - SAB - 0000	HOSE B, RADIATOR	1	Y		20120423	KMYSZ2BLSDC000001	
		13	19317 - SAB - 0010	HOSE C, RADIATOR(745mm)	1	Y		20120423	KMYSZ2BLSDC000001	
		14	19354 - SAB - 0000 - M1	CLIP C23, TUBE	4	Y		20120423	KMYSZ2BLSDC000001	
		15	19355 - SZ1 - 0000	CLIP A21,TUBE	1	Y		20120423	KMYSZ2BLSDC000001	
		16	19356 - SAB - 0000 - M1	CLIP C19, TUBE	1	Y		20120423	KMYSZ2BLSDC000001	
		17	19361 - SAB - 0000	BRACKET COMP., FAN MOTOR	1	Y		20120423	KMYSZ2BLSDC000001	
		18	19372 - SAB - 0000	TUBE ASS'Y, WATER PASS	1	Y		20120423	KMYSZ2BLSDC000001	
		19	19376 - SAB - 0000	TUBE B, WATER PASS	1	Y		20120423	KMYSZ2BLSDC000001	
		20	1939A - SZ1 - 0000 - M1	MOTOR ASS'Y, FAN	1	Y		20120423	KMYSZ2BLSDC000001	

## E - 15

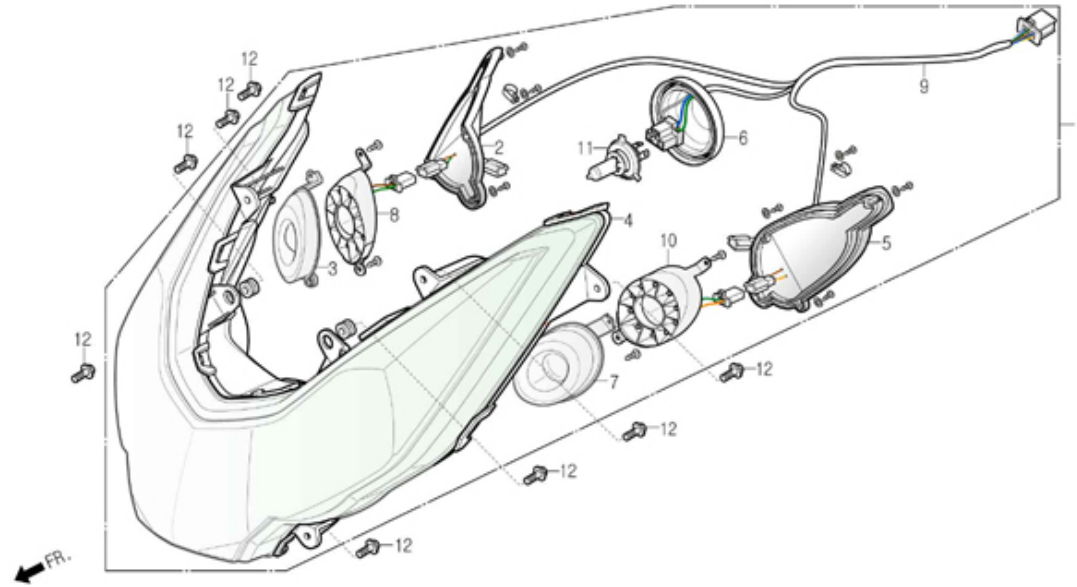
## RADIATOR &amp; HOSE



Service item	FRT	Ref. No.	Part No.	Description	QTY	A/S	Exch	Start Date	Start FRM.No	End FRM.No
		21	19501 - SAB - 0000	HOSE A, WATER	1	N	Y	20120423	KMYSZ2BLSDC000001	KMYSZ2BLSDC000764
			19501 - SAB - 0010	HOSE A, WATER	1	Y		20130201	KMYSZ2BLSDC000765	
		22	19503 - SZ2 - 0000	HOSE C, WATER	1	Y		20120423	KMYSZ2BLSDC000001	
		23	37760 - SAB - 0000 - M1	SWITCH ASS'Y, THERMO(100 c)	1	Y		20120423	KMYSZ2BLSDC000001	
		24	S3892 - 04012 - 10	SCREW, WASHER 4x12	3	Y		20120423	KMYSZ2BLSDC000001	
		25	S3903 - 25280	SCREW, TAPPING 5x12	2	Y		20120423	KMYSZ2BLSDC000001	
		26	S4050 - 06080	NUT, FLANGE 6mm	1	Y		20120423	KMYSZ2BLSDC000001	
		27	S5002 - 02100	CLIP, B10 TUBE	2	Y		20120423	KMYSZ2BLSDC000001	
		28	S5002 - 41300 - 00	CLAMP, TUBE D13	2	Y		20120423	KMYSZ2BLSDC000001	
		29	S5701 - 06012 - 00	BOLT, FLANGE 6x12	3	Y		20120423	KMYSZ2BLSDC000001	
		30	S5701 - 06016 - 00	BOLT, FLANGE 6x16	2	Y		20120423	KMYSZ2BLSDC000001	
		31	S5701 - 06018 - 00	BOLT, FLANGE 6x18	2	Y		20120423	KMYSZ2BLSDC000001	

## F - 01

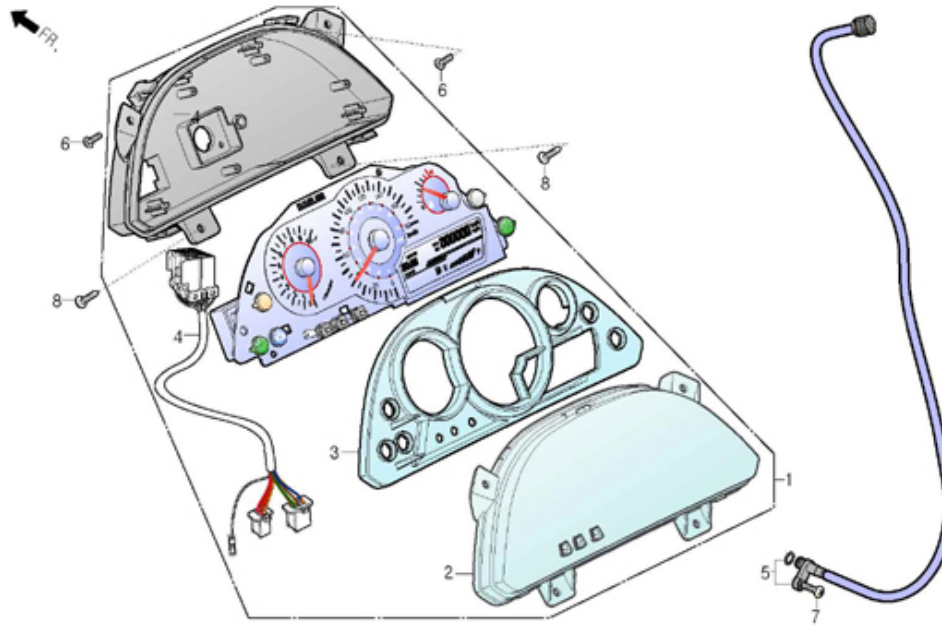
## HEAD LIGHT



Service item	FRT	Ref. No.	Part No.	Description	QTY	A/S	Exch	Start Date	Start FRM.No	End FRM.No
LIGHT ASS'Y, HEAD	0.6	1	33100 - SAB - 0000	LIGHT ASS'Y, HEAD	1	Y		20120423	KMYSZ2BLSDC000001	
BULB, HEAD LIGHT	0.3	2	33106 - SAB - 0000	DUST COVER, RH.POSITION	1	N		20120423	KMYSZ2BLSDC000001	
SOCKET COMP., HEAD LIGHT	0.6	3	33108 - SAB - 0000	LENS, RH.POSITION	1	N		20120423	KMYSZ2BLSDC000001	
LAMP ASS'Y, POSITION	0.6	4	33110 - SAB - 0000	UNIT, HEAD LIGHT	1	N		20120423	KMYSZ2BLSDC000001	
		5	33116 - SAB - 0000	DUST COVER, LH.POSITION	1	N		20120423	KMYSZ2BLSDC000001	
		6	33116 - SZ1 - 0000	COVER, DUST	1	N		20120423	KMYSZ2BLSDC000001	
		7	33118 - SAB - 0000	LENS, LH.POSITION	1	N		20120423	KMYSZ2BLSDC000001	
		8	33125 - SAB - 0000	LAMP ASS'Y, RH.POSITION	1	Y		20120423	KMYSZ2BLSDC000001	
		9	33130 - SAB - 0000	SOCKET COMP., HEAD LIGHT	1	N		20120423	KMYSZ2BLSDC000001	
		10	33175 - SAB - 0000	LAMP ASS'Y, LH.POSITION	1	Y		20120423	KMYSZ2BLSDC000001	
		11	34901 - BA7 - RB00	BULB, HEAD LIGHT (12V 60W/55W)	1	Y		20120423	KMYSZ2BLSDC000001	
		12	S5701 - 06016 - 00	BOLT, FLANGE 6x16	8	Y		20120423	KMYSZ2BLSDC000001	

## F - 02

## SPEEDOMETER

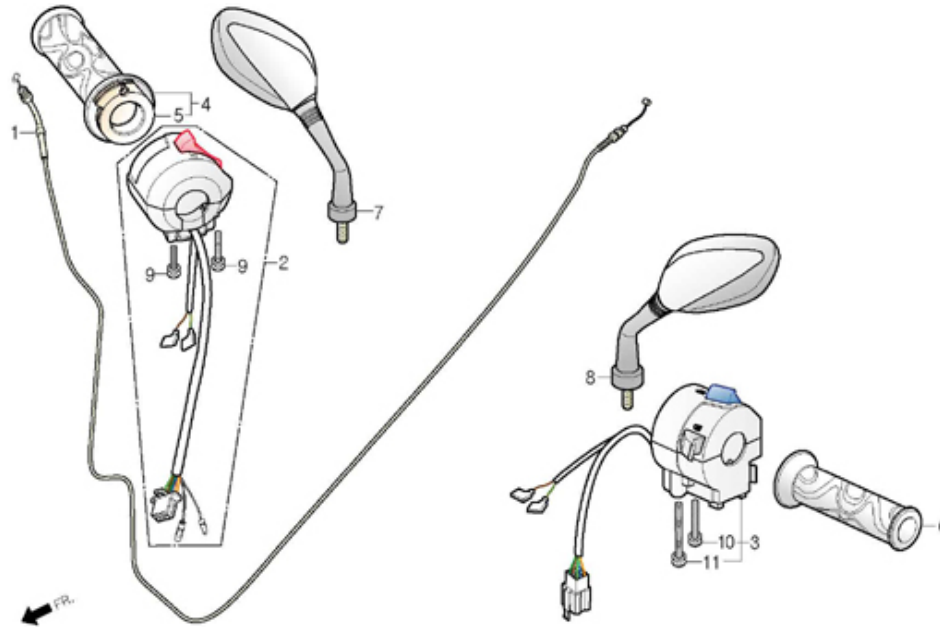


Service item	FRT	Ref. No.	Part No.	Description	QTY	A/S	Exch	Start Date	Start FRM.No	End FRM.No
METER ASS'Y, COMBINATION	0.6	1	37100 - SZ2 - 0000	SPEEDOMETER ASS'Y	1	Y		20120423	KMYSZ2BLSDC000001	
FRONT ACRYL	0.6	2	37202 - SAB - 0000	FRONT ACRYL	1	Y		20120423	KMYSZ2BLSDC000001	
CABLE COMP., SPEEDOMETER	0.5	3	37212 - SAB - 0000	WINDOWS CASE	1	N		20120423	KMYSZ2BLSDC000001	
		4	37223 - SAB - 0000	SOCKET COMP.	1	N		20120423	KMYSZ2BLSDC000001	
		5	44830 - SZ1 - 0010	CABLE COMP., SPEEDOMETER	1	Y		20120423	KMYSZ2BLSDC000001	
		6	90192 - SE3 - 0000	SCREW, SPECIAL 5x14	2	Y		20120423	KMYSZ2BLSDC000001	
		7	S3700 - 05016 - 0G	SCREW, OVAL 5x16	1	Y		20120423	KMYSZ2BLSDC000001	
		8	S3903 - 25480	SCREW, TAPPING 5x20	2	Y		20120423	KMYSZ2BLSDC000001	



## F - 03

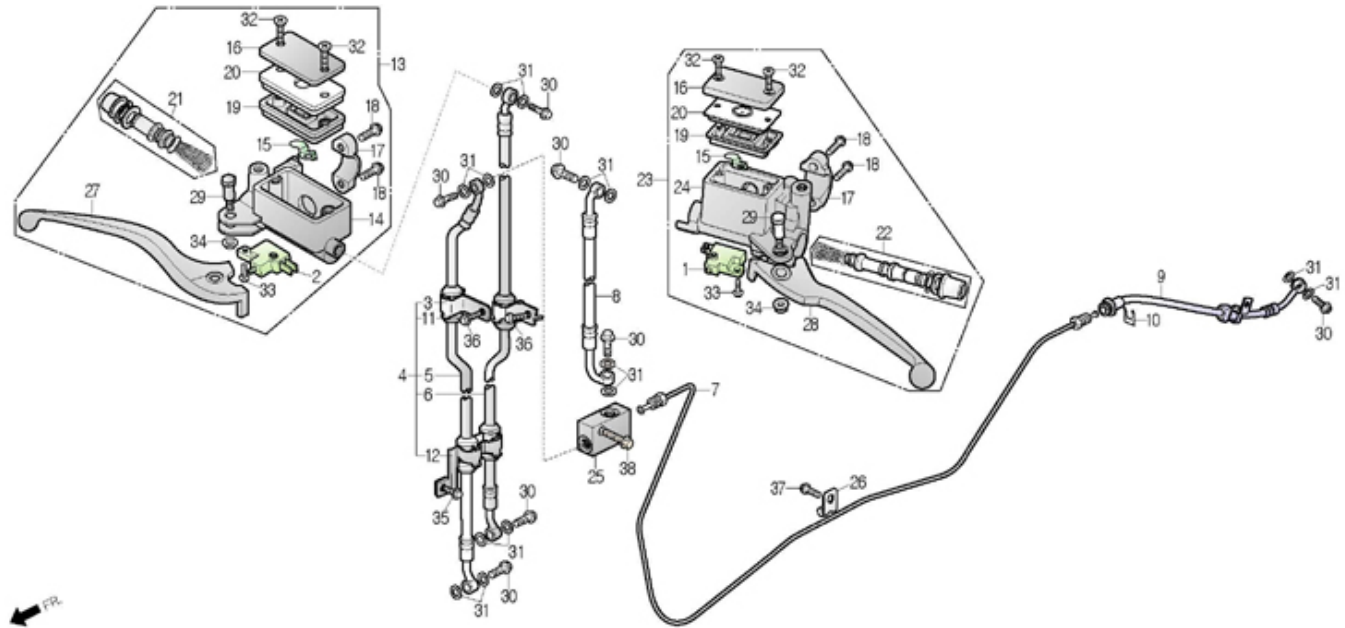
## HANDLE GRIP / SWITCH / CABLE



Service item	FRT	Ref. No.	Part No.	Description	QTY	A/S	Exch	Start Date	Start FRM.No	End FRM.No
CABLE COMP., THROTTLE	1.0	1	17910 - SAB - 0000	CABLE COMP., THROTTLE	1	Y		20120423	KMYSZ2BLSDC000001	
SWITCH ASS'Y, HAZARD START	0.5	2	35150 - SAB - 0010	SWITCH ASS'Y, HAZARD START	1	Y		20120423	KMYSZ2BLSDC000001	
SWITCH ASS'Y, WINKER	0.5	3	35200 - SAB - 0000	SWITCH ASS'Y, WINKER	1	Y		20120423	KMYSZ2BLSDC000001	
GRIP COMP., THROTTLE	0.5	4	53140 - SZ2 - 0000	GRIP COMP., THROTTLE	1	Y		20120423	KMYSZ2BLSDC000001	
GRIP, LH.HANDLE	0.3	5	53141 - SAB - 0000	PIPE, THROTTLE GRIP	1	N		20120423	KMYSZ2BLSDC000001	
MIRROR ASS'Y, BACK	0.2	6	53166 - SZ2 - 0000	GRIP, LH.HANDLE	1	Y		20120423	KMYSZ2BLSDC000001	
		7	88110 - SAB - 0000	MIRROR ASS'Y, RH.BACK	1	Y		20120423	KMYSZ2BLSDC000001	
		8	88120 - SAB - 0000	MIRROR ASS'Y, LH.BACK	1	Y		20120423	KMYSZ2BLSDC000001	
		9	S3892 - 05025 - 07	SCREW, WASHER 5x25	2	N		20120423	KMYSZ2BLSDC000001	
		10	S3892 - 05032 - 07	SCREW, WASHER 5x32	1	N		20120423	KMYSZ2BLSDC000001	
		11	S3892 - 05045 - 07	SCREW, WASHER 5x45	1	N		20120423	KMYSZ2BLSDC000001	

## F - 04

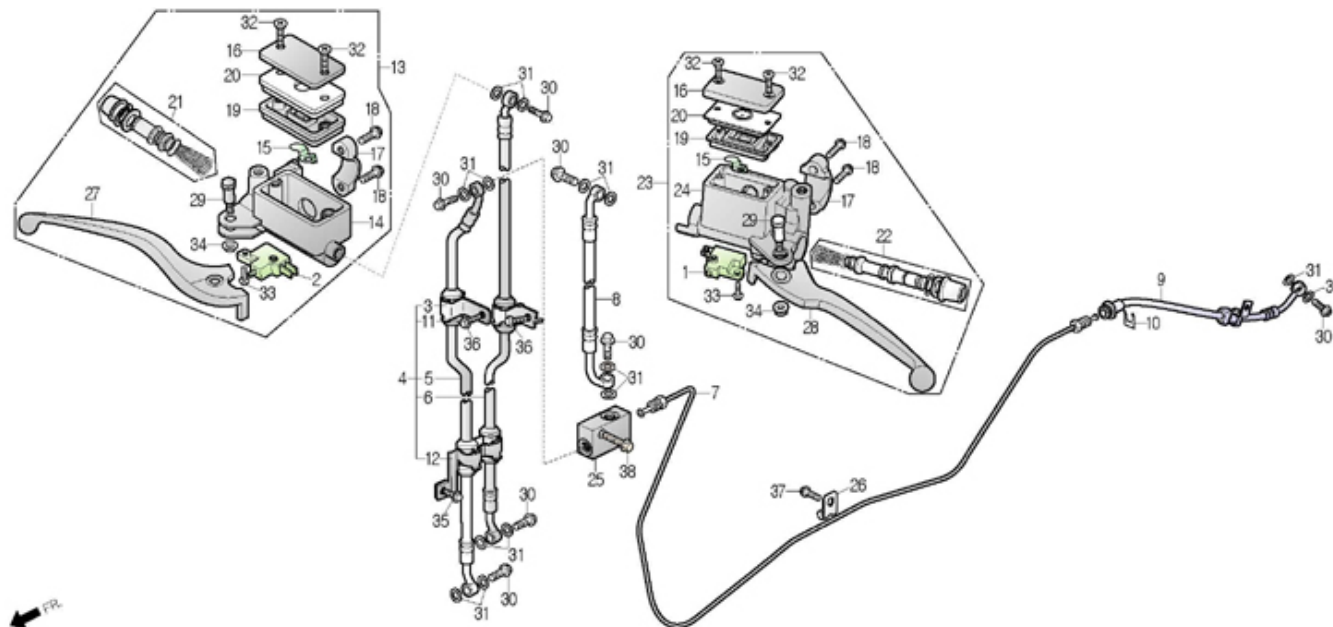
## MASTER CYLINDER / BRAKE HOSE



Service item	FRT	Ref. No.	Part No.	Description	QTY	A/S	Exch	Start Date	Start FRM.No	End FRM.No
SWITCH ASS'Y, FR.STOP	0.4	1	35340 - SA2 - 0000	SWITCH ASS'Y, RR.STOP	1	Y		20120423	KMYSZ2BLSDC000001	
CYLINDER ASS'Y, FR.MASTER	0.6	2	35340 - SC1 - 6710 - M1	SWITCH ASS'Y, FR.STOP	1	Y		20120423	KMYSZ2BLSDC000001	
.DIAPHRAGM	0.6	3	43315 - BA4 - 0000	CLAMP, RR.BRAKE HOSE	1	N		20120423	KMYSZ2BLSDC000001	
.LEVER, RH.STEERING HANDLE	0.7	4	4512A - SZ2 - 0000	HOSE ASS'Y, COMBI. BRAKE FR.	1	Y		20120423	KMYSZ2BLSDC000001	
CYLINDER SET, MASTER	0.4	5	45126 - SZ2 - 0000	HOSE COMP., FR.BRAKE(L=952)	1	Y		20120423	KMYSZ2BLSDC000001	
HOSE ASS'Y, FR.BRAKE	0.6									
SWITCH ASS'Y, RR.STOP	0.7	6	45127 - SZ2 - 0000	HOSE B COMP., FR.BRAKE(L=852)	1	Y		20120423	KMYSZ2BLSDC000001	
CYLINDER ASS'Y, RR.MASTER	0.5	7	45146 - SZ2 - 0000	HOSE PIPE, RR.BRAKE	1	Y		20120423	KMYSZ2BLSDC000001	
HOSE A ASS'Y, RR.BRAKE	0.7	8	45147 - SZ2 - 0000	HOSE A ASS'Y, RR.BRAKE	1	Y		20120423	KMYSZ2BLSDC000001	
HOSE B ASS'Y, RR.BRAKE		9	45148 - SZ2 - 0010	HOSE B ASS'Y, RR.BRAKE(L=357)	1	Y		20120423	KMYSZ2BLSDC000001	
HOSE PIPE, RR.BRAKE		10	45151 - SA2 - 0000	CLIP, BRAKE HOSE	1	Y		20120423	KMYSZ2BLSDC000001	
		11	45156 - SAB - 0000	CLAMP A, BRAKE HOSE	1	Y		20120423	KMYSZ2BLSDC000001	
		12	45157 - SAB - RZ00	CLAMP B, BRAKE HOSE	1	Y		20120423	KMYSZ2BLSDC000001	
		13	45500 - SA7 - 0000	CYLINDER ASS'Y, FR.MASTER	1	Y		20120423	KMYSZ2BLSDC000001	
		14	45501 - SA7 - 0000	BODY, MASTER CYLINDER	1	N		20120423	KMYSZ2BLSDC000001	
		15	45512 - BA6 - 0060 - M1	PROTECTOR	2	N		20120423	KMYSZ2BLSDC000001	
		16	45513 - SZ1 - 0000	CAP, OIL CUP	2	N		20120423	KMYSZ2BLSDC000001	
		17	45517 - SZ1 - 0000	HOLDER, MASTER CYLINDER	2	N		20120423	KMYSZ2BLSDC000001	
		18	45518 - BA4 - 0000 - M1	BOLT, MASTER CYLINDER HOLDER	4	N		20120423	KMYSZ2BLSDC000001	
		19	45520 - SC1 - 0060	DIAPHRAGM	2	N		20120423	KMYSZ2BLSDC000001	
		20	45521 - SC1 - 0060	PLATE, DIAPHRAGM	2	N		20120423	KMYSZ2BLSDC000001	

F - 04

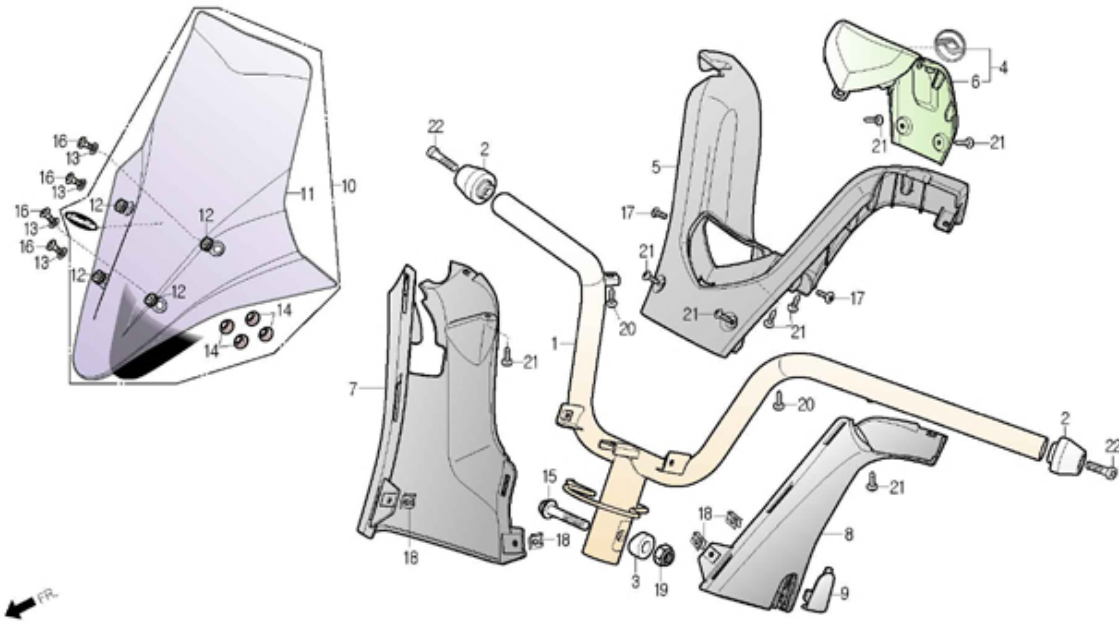
MASTER CYLINDER / BRAKE HOSE



Service item	FRT	Ref. No.	Part No.	Description	QTY	A/S	Exch	Start Date	Start FRM.No	End FRM.No
		21	45530 - BA6 - 3050	MASTER CYLINDER SET	1	N		20120423	KMYSZ2BLSDC000001	
		22	45540 - SAB - RZ00	MASTER CYLINDER SET	1	N		20120423	KMYSZ2BLSDC000001	
		23	45600 - SAB - RZ00	CYLINDER ASS'Y, RR.MASTER	1	Y		20120423	KMYSZ2BLSDC000001	
		24	45601 - SAB - 0000	BODY,MASTER CYLINDER	1	N		20120423	KMYSZ2BLSDC000001	
		25	46300 - SZ1 - 0110	JUNCTION VALVE	1	Y		20120423	KMYSZ2BLSDC000001	
		26	51108 - SA2 - 0000	CLIP, BRAKE HOSE	1	Y		20120423	KMYSZ2BLSDC000001	
		27	53175 - SZ1 - 0000	LEVER, RH.STEERING HANDLE	1	Y		20120423	KMYSZ2BLSDC000001	
		28	53178 - SZ1 - 0100	LEVER, LH.STEERING HANDLE	1	Y		20120423	KMYSZ2BLSDC000001	
		29	90114 - BA6 - 0000	BOLT, HANDLE LEVER	2	N		20120423	KMYSZ2BLSDC000001	
		30	90145 - BA7 - 9000	OIL BOLT 10x22	7	Y		20120423	KMYSZ2BLSDC000001	
		31	90545 - BA6 - 0000	WASHER, OIL BOLT	14	Y		20120423	KMYSZ2BLSDC000001	
		32	S3600 - 04012 - 0G	SCREW, FLAT 4x12	4	N		20120423	KMYSZ2BLSDC000001	
		33	S3893 - 04012 - 18	SCREW, WASHER 4x12	2	N		20120423	KMYSZ2BLSDC000001	
		34	S4050 - 06080	NUT, FLANGE 6mm	2	N		20120423	KMYSZ2BLSDC000001	
		35	S5701 - 06012 - 00	BOLT, FLANGE 6x12	1	Y		20120423	KMYSZ2BLSDC000001	
		36	S5701 - 06012 - 07	BOLT, FLANGE 6x12	2	Y		20120423	KMYSZ2BLSDC000001	
		37	S5701 - 06022 - 00	BOLT, FLANGE 6x22	1	Y		20120423	KMYSZ2BLSDC000001	
		38	S5701 - 08030 - 00	BOLT, FLANGE 8x30	1	Y		20120423	KMYSZ2BLSDC000001	

## F - 05

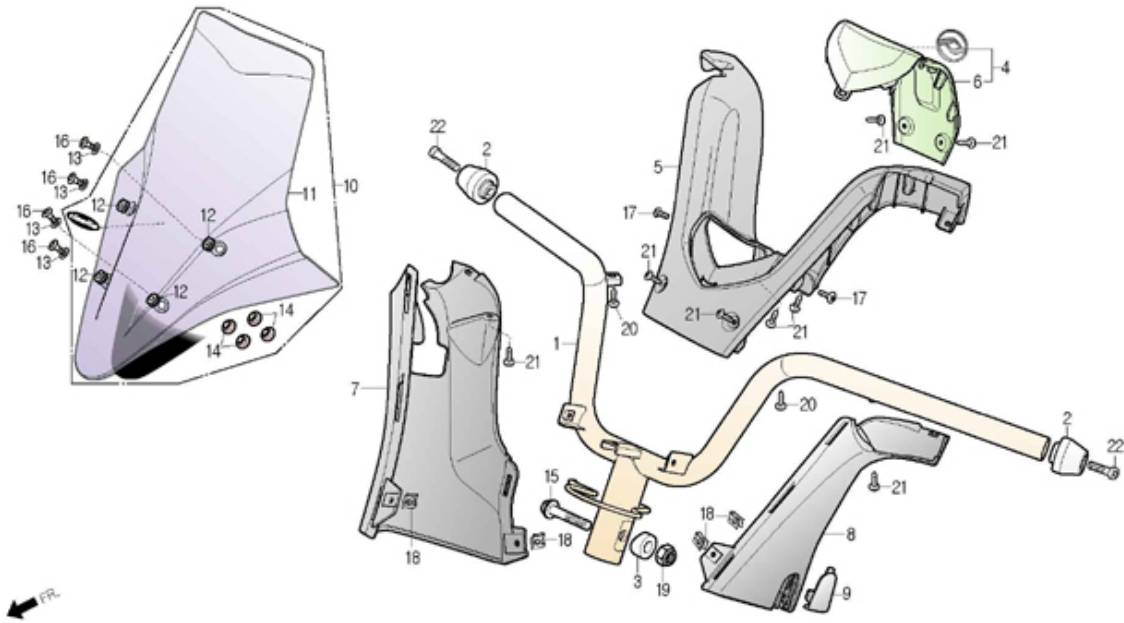
## STEERING HANDLE / HANDLE COVER



Service item	FRT	Ref. No.	Part No.	Description	QTY	A/S	Exch	Start Date	Start FRM.No	End FRM.No
HANDLE COMP., STEERING	0.8	1	53100 - SAB - 0000	HANDLE COMP., STEERING	1	Y		20120423	KMYSZ2BLSDC000001	
COVER ASS'Y, RH.UNDER	0.1	2	53106 - SZ1 - 0010	WEIGHT CAP, HANDLE	2	Y		20120423	KMYSZ2BLSDC000001	
HANDLE	0.1	3	53125 - CB2 - 9000	COLLAR, HANDLE SETTING	1	Y		20120423	KMYSZ2BLSDC000001	
COVER ASS'Y, LH.UNDER	0.2	4	5320A - SZ2 - 0000	COVER B ASS'Y, UPPER HANDLE	1	Y		20120423	KMYSZ2BLSDC000001	
HANDLE	0.1	5	53204 - SAB - 0000	COVER A, UPPER HANDLE	1	Y		20120423	KMYSZ2BLSDC000001	
COVER A, UPPER HANDLE		6	53205 - SAB - 0000	COVER B, UPPER HANDLE	1	Y		20120423	KMYSZ2BLSDC000001	
SCREEN ASS'Y, WIND		7	53206 - SAB - 0000	COVER, RH.UNDER HANDLE	1	Y		20120423	KMYSZ2BLSDC000001	
		8	53207 - SAB - 0000	COVER, LH.UNDER HANDLE	1	Y		20120423	KMYSZ2BLSDC000001	
		9	53208 - SAB - 0000	CAP, LH.UNDER HANDLE COVER	1	Y		20120423	KMYSZ2BLSDC000001	
		10	5321A - SZ2 - 0000	SCREEN ASS'Y, WIND	1	Y		20120423	KMYSZ2BLSDC000001	
		11	53213 - SAB - RZ10	SCREEN, WIND	1	N		20120423	KMYSZ2BLSDC000001	
		12	53214 - SZ2 - 0000	RUBBER, WIND SCREEN MOUNT	4	Y		20120423	KMYSZ2BLSDC000001	
		13	53215 - SAB - 0000	WASHER, WIND SCREEN	4	Y		20120423	KMYSZ2BLSDC000001	
		14	53215 - SZ2 - 0000	COLLAR, WIND SCREEN MOUNT	4	Y		20120423	KMYSZ2BLSDC000001	
		15	90106 - CB2 - 9000	BOLT, FLANGE 10x50	1	Y		20120423	KMYSZ2BLSDC000001	
		16	90108 - SZ2 - 0000	BOLT, SPECIAL 6mm	4	Y		20120423	KMYSZ2BLSDC000001	
		17	90192 - SE3 - 0000	SCREW, SPECIAL 5x14	2	Y		20120423	KMYSZ2BLSDC000001	
		18	90302 - SA4 - 0030	NUT, SPRING 4mm	4	Y		20120423	KMYSZ2BLSDC000001	
		19	90304 - SE6 - 0000	NUT, U 10mm	1	Y		20120423	KMYSZ2BLSDC000001	
		20	S3903 - 25280	SCREW, TAPPING 5x12	2	Y		20120423	KMYSZ2BLSDC000001	
		21	S3903 - 34380	SCREW, TAPPING 4x12	8	Y		20120423	KMYSZ2BLSDC000001	

# F - 05

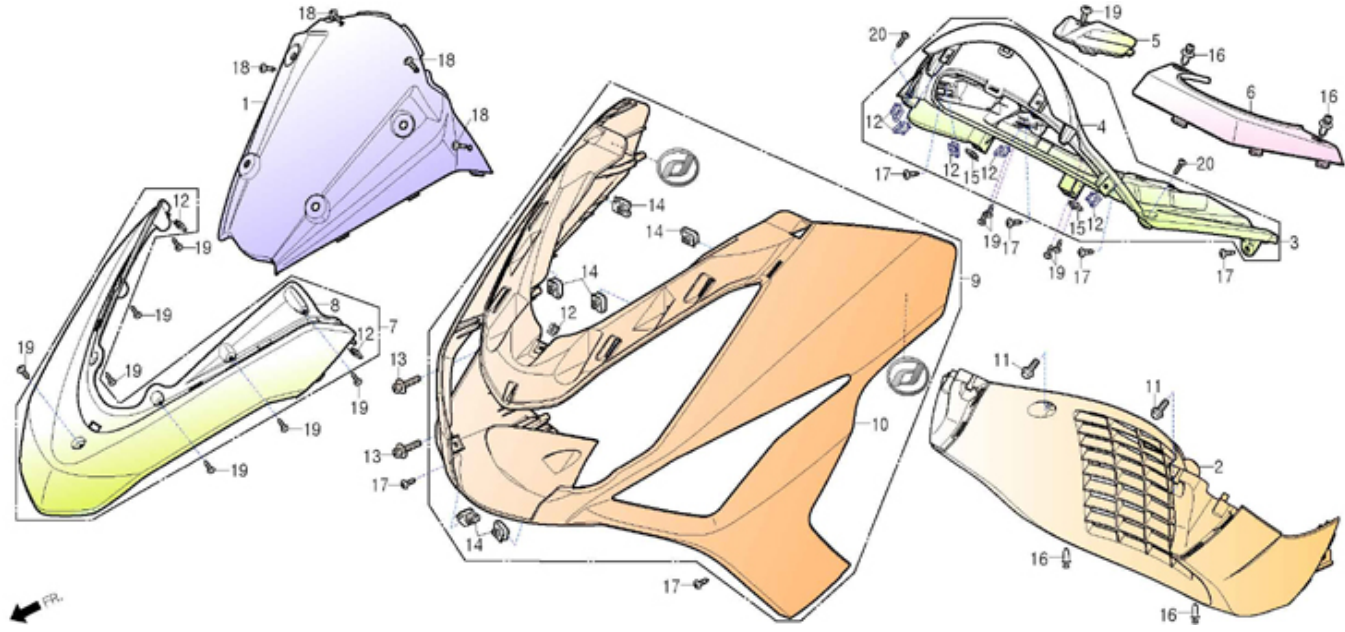
## STEERING HANDLE / HANDLE COVER



Service item	FRT	Ref. No.	Part No.	Description	QTY	A/S	Exch	Start Date	Start FRM.No	End FRM.No
		22	S6700 - 08035 - 00	BOLT, SOCKET 8x35	2	Y		20120423	KMYSZ2BLSDC000001	

# F - 06

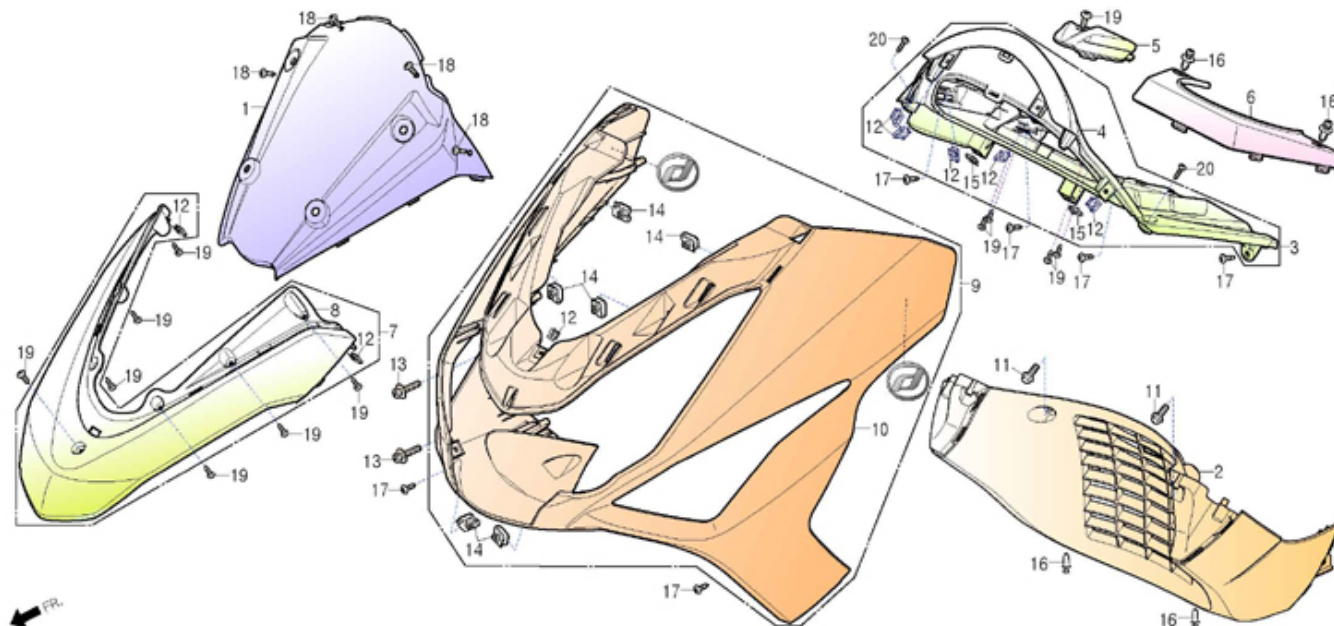
## FRONR COVER / METER COVER



Service item	FRT	Ref. No.	Part No.	Description	QTY	A/S	Exch	Start Date	Start FRM.No	End FRM.No
COVER ASS'Y, FR	0.1	1	53209 - SAB - 0000	COVER, WIND SCREEN UNDER	1	Y		20120423	KMYSZ2BLSDC000001	
COVER ASS'Y, FR.UNDER	0.4	2	61200 - SAB - 0010 - GB	COVER B, FR.UNDER(G/BLUE)	1	Y		20120423	KMYSZ2BLSDC000001	
COVER ASS'Y, METER	0.3		61200 - SAB - 0010 - NG	COVER B, FR.UNDER(B/GRAY)	1	Y		20120901	KMYSZ2BLSDC000343	
COVER B, FR.UNDER	0.6		61200 - SAB - 0010 - TS	COVER B, FR.UNDER(T/SILVER)	1	Y		20120423	KMYSZ2BLSDC000001	
			61200 - SAB - 0010 - WL	COVER B, FR.UNDER(W/GOLD)	1	Y		20120423	KMYSZ2BLSDC000001	
		3	6131A - SAB - 0000	COVER ASS'Y, METER	1	Y		20120423	KMYSZ2BLSDC000001	
		4	61310 - SAB - 0000	COVER, METER	1	Y		20120423	KMYSZ2BLSDC000001	
		5	61320 - SAB - 0000	COVER, ENGINE COOLANT	1	Y		20120423	KMYSZ2BLSDC000001	
		6	61330 - SAB - 0000	COVER, METER UPPER	1	Y		20120423	KMYSZ2BLSDC000001	
		7	6430A - SAB - 0000 - GB	COVER ASS'Y, FR.(G/BLUE)	1	Y		20120423	KMYSZ2BLSDC000001	
			6430A - SAB - 0000 - NG	COVER ASS'Y, FR.(B/GRAY)	1	Y		20120901	KMYSZ2BLSDC000343	
			6430A - SAB - 0000 - TS	COVER ASS'Y, FR.(T/SILVER)	1	Y		20120423	KMYSZ2BLSDC000001	
			6430A - SAB - 0000 - WL	COVER ASS'Y, FR.(W/GOLD)	1	Y		20120423	KMYSZ2BLSDC000001	
		8	64301 - SAB - 0000 - GB	COVER, FR.(G/BLUE)	1	N		20120423	KMYSZ2BLSDC000001	
			64301 - SAB - 0000 - NG	COVER, FR.(B/GRAY)	1	N		20120901	KMYSZ2BLSDC000343	
			64301 - SAB - 0000 - TS	COVER, FR.(T/SILVER)	1	N		20120423	KMYSZ2BLSDC000001	
			64301 - SAB - 0000 - WL	COVER, FR.(W/GOLD)	1	N		20120423	KMYSZ2BLSDC000001	
		9	6440A - SAB - RB10 - GB	COVER ASS'Y, FR.UNDER(G/BLUE)	1	Y		20120423	KMYSZ2BLSDC000001	
			6440A - SAB - RB10 - NG	COVER ASS'Y, FR.UNDER(B/GRAY)	1	Y		20120901	KMYSZ2BLSDC000343	
			6440A - SAB - RB10 - TS	COVER ASS'Y, FR.UNDER(T/SILVER)	1	Y		20120423	KMYSZ2BLSDC000001	
			6440A - SAB - RB10 - WL	COVER ASS'Y, FR.UNDER(W/GOLD)	1	Y		20120423	KMYSZ2BLSDC000001	
		10	64400 - SAB - 0000 - GB	COVER A, FR.UNDER(G/BLUE)	1	N		20120423	KMYSZ2BLSDC000001	
			64400 - SAB - 0000 - NG	COVER A, FR.UNDER(B/GRAY)	1	N		20120901	KMYSZ2BLSDC000343	

## F - 06

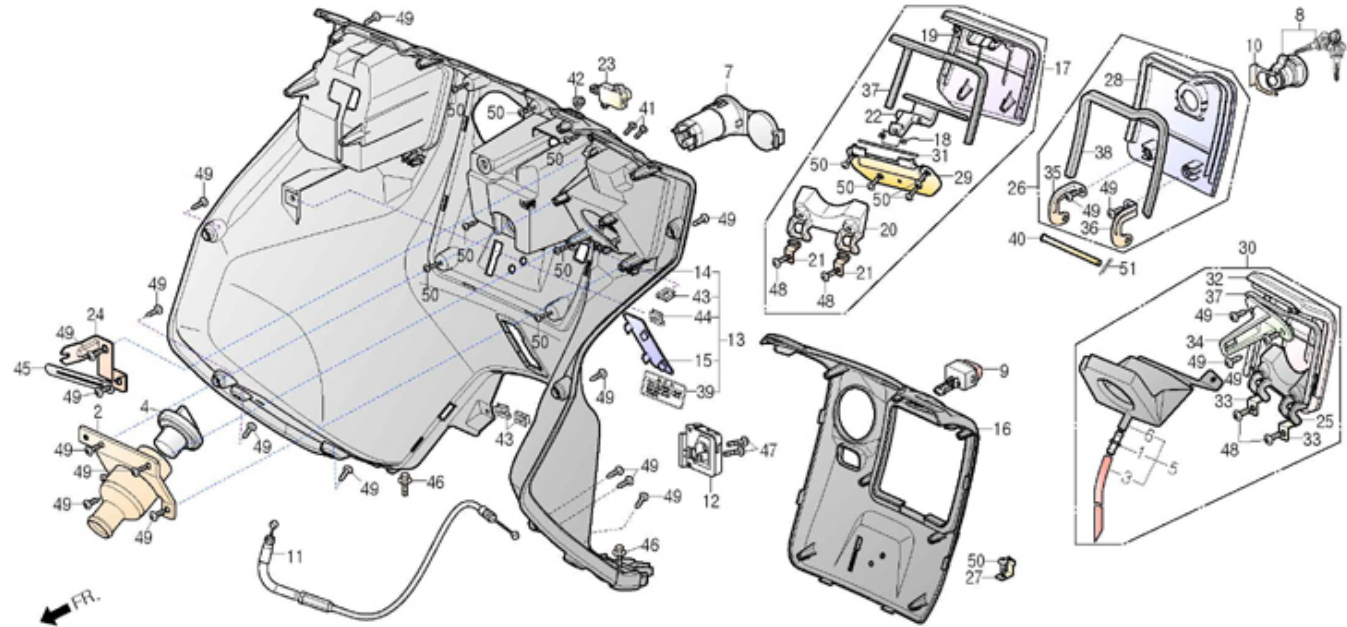
## FRONR COVER / METER COVER



Service item	FRT	Ref. No.	Part No.	Description	QTY	A/S	Exch	Start Date	Start FRM.No	End FRM.No
			64400 - SAB - 0000 - TS COVER A, FR.UNDER(T/SILVER)		1	N		20120423	KMYSZ2BLSDC000001	
			64400 - SAB - 0000 - WLCOVER A, FR.UNDER(W/GOLD)		1	N		20120423	KMYSZ2BLSDC000001	
		11	90111 - SE5 - 0000	BOLT, FLANGE 6mm	2	Y		20120423	KMYSZ2BLSDC000001	
		12	90302 - SA4 - 0030	NUT, SPRING 4mm	8	Y		20120423	KMYSZ2BLSDC000001	
		13	90302 - SE5 - 2000	BOLT, WASHER 5x16	2	Y		20120423	KMYSZ2BLSDC000001	
		14	90305 - SE5 - 1000	NUT, CLIP 6mm	6	Y		20120423	KMYSZ2BLSDC000001	
		15	90677 - SE5 - 0030	NUT, CLIP 5mm	2	Y		20120423	KMYSZ2BLSDC000001	
		16	90683 - SE5 - 0030	CLIP, BODY COVER	4	Y		20120423	KMYSZ2BLSDC000001	
		17	S3903 - 25280	SCREW, TAPPING 5x12	6	Y		20120423	KMYSZ2BLSDC000001	
		18	S3903 - 34A80	SCREW, TAPPING 4x14	4	Y		20120423	KMYSZ2BLSDC000001	
		19	S3903 - 34380	SCREW, TAPPING 4x12	12	Y		20120423	KMYSZ2BLSDC000001	
		20	S3903 - 44580	SCREW, TAPPING 4x20	2	Y		20120423	KMYSZ2BLSDC000001	

## F - 07

## INNER BOX

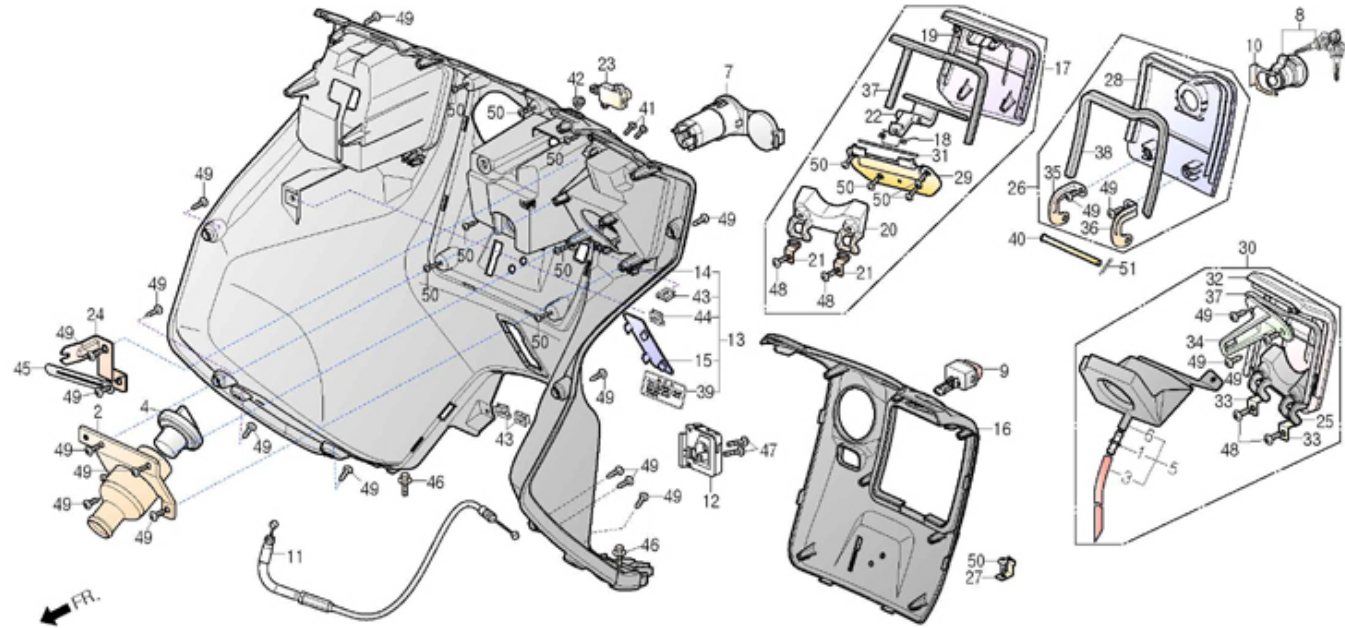


Service item	FRT	Ref. No.	Part No.	Description	QTY	A/S	Exch	Start Date	Start FRM.No	End FRM.No
NECK ASS'Y, FUEL CAP HOLDER COMP., BAG BOX, INNER	0.2	1	16031 - SAB - 0000	JOINT, FUEL STRAIGHT	1	N		20120423	KMYSZ2BLSDC000001	
	0.1	2	1751B - SAB - 0000	NECK ASS'Y, FUEL CAP	1	Y		20120423	KMYSZ2BLSDC000001	
	1.0	3	17519 - SAB - 0010	VINYL TUBE 6x9x430	1	N		20120423	KMYSZ2BLSDC000001	
		4	17620 - SE5 - 6700 - M2	CAP COMP., FUEL FILLER	1	Y		20120423	KMYSZ2BLSDC000001	
		5	1763A - SAB - 0010	RUBBER ASS'Y, FUEL GUIDE	1	Y		20120423	KMYSZ2BLSDC000001	
		6	17630 - SAB - 0010	RUBBER, FUEL GUIDE	1	N		20120423	KMYSZ2BLSDC000001	
		7	30800 - SA3 - 0000	SOCKET COMP., CHARGE	1	Y		20120423	KMYSZ2BLSDC000001	
		8	35020 - SAB - 0000	KEY SET, INNER BOX LOCK	1	Y		20120423	KMYSZ2BLSDC000001	
		10	75581 - SA2 - 0000	SET SPRING, LOCK KEY	1	Y		20120423	KMYSZ2BLSDC000001	
		11	77260 - SAB - 0000	CABLE, FUEL LID LOCK	1	Y		20120423	KMYSZ2BLSDC000001	
		12	81100 - SA1 - 0100	HOLDER COMP., BAG	1	Y		20120423	KMYSZ2BLSDC000001	
		13	8113A - SZ2 - MA00	BOX ASS'Y, INNER(ENGLISH)	1	Y		20120423	KMYSZ2BLSDC000001	
			8113A - SZ2 - RB00	BOX ASS'Y, INNER(GERMANY)	1	Y		20120423	KMYSZ2BLSDC000001	
			8113A - SZ2 - RE00	BOX ASS'Y, INNER(FRANCE)	1	Y		20120423	KMYSZ2BLSDC000001	
			8113A - SZ2 - RC00	BOX ASS'Y, INNER(ITALY)	1	Y		20120423	KMYSZ2BLSDC000001	
			8113A - SZ2 - RJ00	BOX ASS'Y, INNER(SPAIN)	1	Y		20120423	KMYSZ2BLSDC000001	
		14	81131 - SZ2 - 0000	BOX, INNER	1	N	Y	20120423	KMYSZ2BLSDC000001	KMYSZ2BLSDC000153
		81131 - SZ2 - 0010	BOX, INNER	1	N		20120601	KMYSZ2BLSDC000154		
		15	81132 - SZ2 - 0000	CAP, NUMBERING	1	Y		20120423	KMYSZ2BLSDC000001	
		16	81133 - SAB - 0000	COVER, INNER CENTER	1	Y		20120423	KMYSZ2BLSDC000001	
		17	8114A - SAB - 0000	LID ASS'Y, INNER BOX	1	Y		20120423	KMYSZ2BLSDC000001	



## F - 07

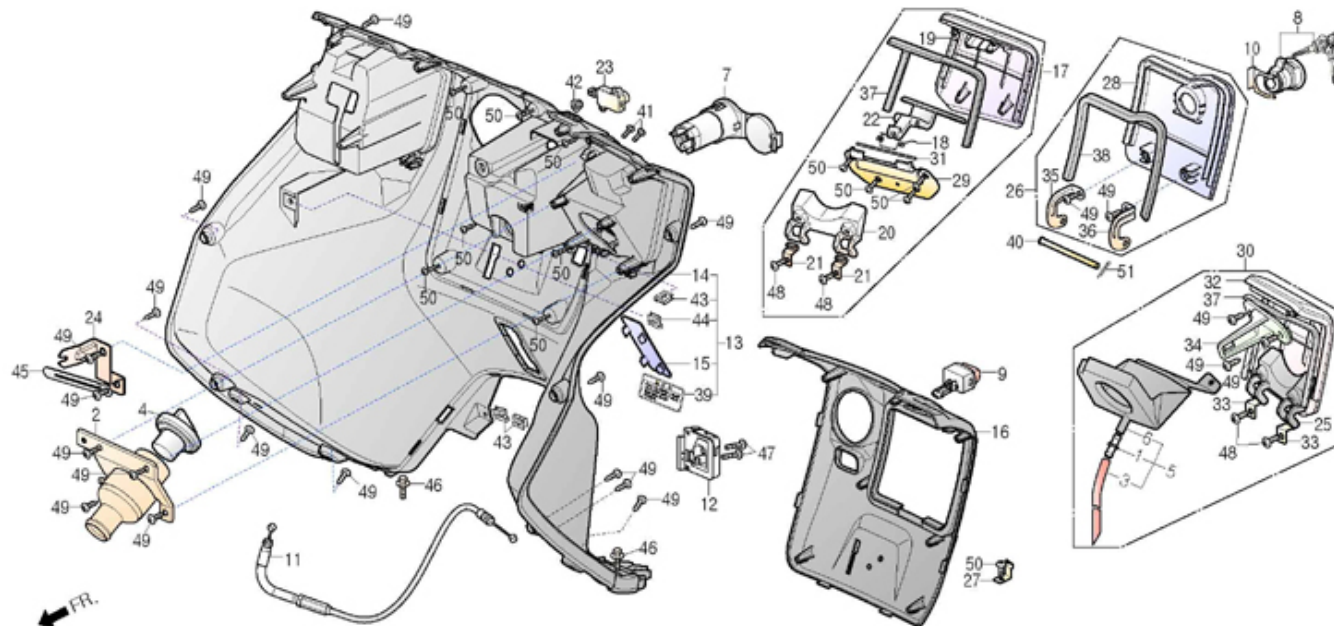
## INNER BOX



Service item	FRT	Ref. No.	Part No.	Description	QTY	A/S	Exch	Start Date	Start FRM.No	End FRM.No
		18	81140 - SAB - 0000	SPRING, RH.LID OPEN HINGE	1	N		20120423	KMYSZ2BLSDC000001	
		19	81141 - SAB - 0000	LID, RH.INNER BOX	1	N		20120423	KMYSZ2BLSDC000001	
		20	81142 - SAB - 0000	HINGE, RH.LID	1	N		20120423	KMYSZ2BLSDC000001	
		21	81143 - SAB - 0000	STAY, RH.LID HINGE	2	N		20120423	KMYSZ2BLSDC000001	
		22	81144 - SAB - 0000	HINGE, RH.LID OPEN	1	N		20120423	KMYSZ2BLSDC000001	
		23	81145 - SAB - 0000	LOCK ASS'Y, LH.LID	1	Y		20120423	KMYSZ2BLSDC000001	
		24	81146 - SAB - 0000	STOPPER, FUEL CABLE	1	Y		20120423	KMYSZ2BLSDC000001	
		25	81148 - SAB - 0000	HINGE, LH.LID	1	N		20120423	KMYSZ2BLSDC000001	
		26	8115A - SAB - 0000	LID ASS'Y, CENTER INNER BOX	1	Y		20120423	KMYSZ2BLSDC000001	
		27	81150 - SAB - 0000	SPRING PLATE, LID	1	Y		20120423	KMYSZ2BLSDC000001	
		28	81151 - SAB - 0000	LID, CENTER INNER BOX	1	N		20120423	KMYSZ2BLSDC000001	
		29	81159 - SAB - 0000	STOPPER, LID OPEN HINGE	1	N		20120423	KMYSZ2BLSDC000001	
		30	8116S - SAB - 0000	LID SET, LH.INNER BOX	1	Y		20120423	KMYSZ2BLSDC000001	
		31	81160 - SAB - 0000	PIN, RH.LID OPEN HINGE	1	N		20120423	KMYSZ2BLSDC000001	
		32	81161 - SAB - 0000	LID, LH.INNER BOX	1	N		20120423	KMYSZ2BLSDC000001	
		33	81163 - SAB - 0000	STAY, LH.LID HINGE	2	N		20120423	KMYSZ2BLSDC000001	
		34	81164 - SAB - 0000	STOPPER, LH.LID	1	N		20120423	KMYSZ2BLSDC000001	
		35	81171 - SAB - 0000	RH.HINGE, CENTER LID	1	N		20120423	KMYSZ2BLSDC000001	
		36	81172 - SAB - 0000	LH.HINGE, CENTER LID	1	N		20120423	KMYSZ2BLSDC000001	
		37	81175 - SAB - 0000	SEAL, RH.INNER BOX LID	2	N		20120423	KMYSZ2BLSDC000001	
		38	81176 - SAB - 0000	SEAL, CENTER INNER BOX LID	1	N		20120423	KMYSZ2BLSDC000001	

## F - 07

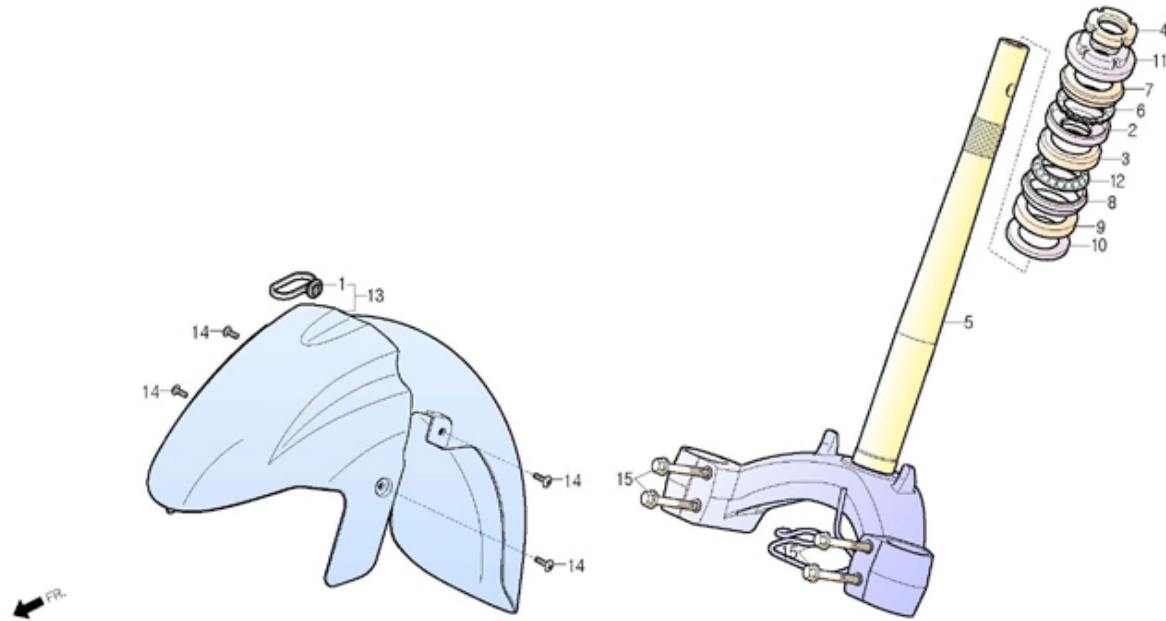
## INNER BOX



Service item	FRT	Ref. No.	Part No.	Description	QTY	A/S	Exch	Start Date	Start FRM.No	End FRM.No
		39	81219 - SA2 - MA00	LABEL, INNER BOX CAUTION	1	N		20120423	KMYSZ2BLSDC000001	
			81219 - SA2 - RB10	LABEL, INNER BOX CAUTION(GERMANY)	1	N		20120423	KMYSZ2BLSDC000001	
			81219 - SA2 - RC00	LABEL, INNER BOX CAUTION(ITALY)	1	N		20120423	KMYSZ2BLSDC000001	
			81219 - SA2 - RE00	LABEL, INNER BOX CAUTION(FRANCE)	1	N		20120423	KMYSZ2BLSDC000001	
			81219 - SA2 - RJ00	LABEL, INNER BOX CAUTION(SPAIN)	1	N		20120423	KMYSZ2BLSDC000001	
		40	90105 - SAB - 0000	PIN, HINGE	1	Y		20120423	KMYSZ2BLSDC000001	
		41	90192 - SE3 - 0000	SCREW, SPECIAL 5x14	2	Y		20120423	KMYSZ2BLSDC000001	
		42	90301 - SB1 - 0000	NUT, OPEN STAY 6mm	1	Y		20120423	KMYSZ2BLSDC000001	
		43	90302 - SA4 - 0030	NUT, SPRING 4mm	3	Y		20120423	KMYSZ2BLSDC000001	
		44	90305 - SE5 - 1000	NUT, CLIP 6mm	1	Y		20120423	KMYSZ2BLSDC000001	
		45	91410 - BA6 - 0000	CLIP, 2x60	1	Y		20120423	KMYSZ2BLSDC000001	
		46	S3404 - 06016 - 07	BOLT, WASHER 6x16	2	Y		20120423	KMYSZ2BLSDC000001	
		47	S3500 - 05028 - 0A	SCREW, PAN 5x28	2	Y		20120423	KMYSZ2BLSDC000001	
		48	S3903 - 25180	SCREW, TAPPING 5x10	4	N		20120423	KMYSZ2BLSDC000001	
		49	S3903 - 25280	SCREW, TAPPING 5x12	21	N		20120423	KMYSZ2BLSDC000001	
		50	S3903 - 34380	SCREW, TAPPING 4x12	12	N		20120423	KMYSZ2BLSDC000001	
		51	S4251 - 06000	PIN, LOCK 6mm	1	Y		20120423	KMYSZ2BLSDC000001	

## F - 08

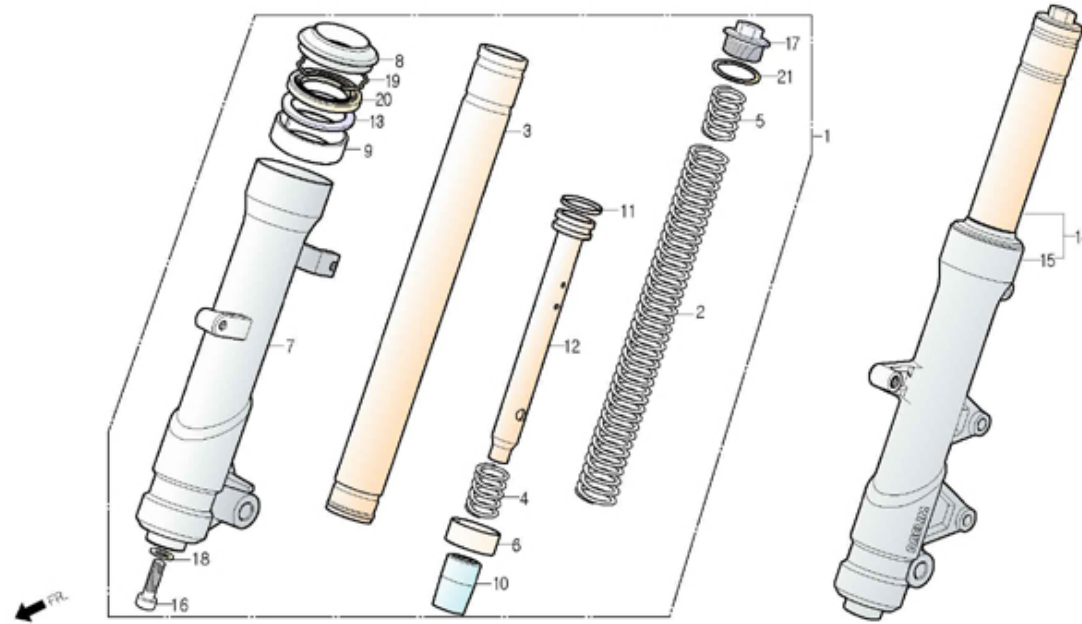
## FRONT FENDER / STEERING STEM



Service item	FRT	Ref. No.	Part No.	Description	QTY	A/S	Exch	Start Date	Start FRM.No	End FRM.No
FENDER, FR.	0.1	1	45451 - BA5 - 0000	GROMMET, WIRE	1	Y		20120423	KMYSZ2BLSDC000001	
RACE, STEERING TOP CONE	1.2	2	50301 - CB2 - 9000	RACE, STEERING TOP BALL	1	Y		20120423	KMYSZ2BLSDC000001	
RACE, STEERING BOTTOM CONE	1.2	3	50302 - CB2 - 9000	RACE, STEERING BOTTOM BALL	1	Y		20120423	KMYSZ2BLSDC000001	
CONE	0.8	4	50306 - CB3 - 0000	NUT, STEERING STEM LOCK	1	Y		20120423	KMYSZ2BLSDC000001	
THREAD COMP., TOP STEM COMP., STEERING	1.2	5	53200 - SZ2 - 0000	STEM COMP., STEERING	1	Y		20120423	KMYSZ2BLSDC000001	
		6	53210 - CB3 - 7500	BALL ASS'Y, STEERING UPPER	1	Y		20120423	KMYSZ2BLSDC000001	
		7	53211 - CB2 - 9000	RACE, STEERING TOP CONE	1	Y		20120423	KMYSZ2BLSDC000001	
		8	53212 - CB2 - 9000	RACE, STEERING BOTTOM CONE	1	Y		20120423	KMYSZ2BLSDC000001	
		9	53214 - CB2 - 9000	DUST SEAL, STEERING	1	Y		20120423	KMYSZ2BLSDC000001	
		10	53215 - CB3 - 0000	WASHER, STEERING HEAD DUST SEAL	1	Y		20120423	KMYSZ2BLSDC000001	
		11	53220 - CB3 - 0000	THREAD COMP., TOP	1	Y		20120423	KMYSZ2BLSDC000001	
		12	53220 - CB3 - 7500	BALL ASSY, STEERING UNDER	1	Y		20120423	KMYSZ2BLSDC000001	
		13	61100 - SAB - RZ00 - GB	FENDER, FR.(G/BBLUE)	1	Y		20120423	KMYSZ2BLSDC000001	
			61100 - SAB - RZ00 - NG	FENDER, FR.(B/GRAY)	1	Y		20120901	KMYSZ2BLSDC000343	
			61100 - SAB - RZ00 - TS	FENDER, FR.(T/SILVER)	1	Y		20120423	KMYSZ2BLSDC000001	
			61100 - SAB - RZ00 - WL	FENDER, FR.(W/GOLD)	1	Y		20120423	KMYSZ2BLSDC000001	
		14	90110 - SE5 - 0000	SCREW, SPECIAL 6x14	4	Y		20120423	KMYSZ2BLSDC000001	
		15	S5801 - 10045 - 00	BOLT, FLANGE 10x45	4	Y		20120423	KMYSZ2BLSDC000001	

## F - 09

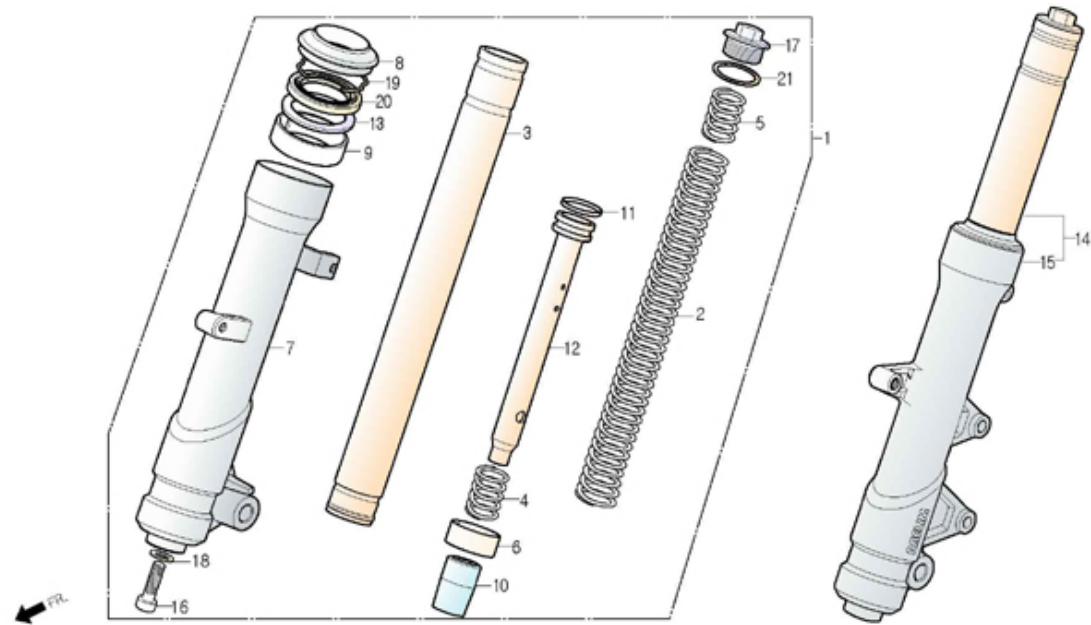
## FRONT FORK



Service item	FRT	Ref. No.	Part No.	Description	QTY	A/S	Exch	Start Date	Start FRM.No	End FRM.No
FORK ASS'Y, FR. PIPE COMP., FORK CASE, BOTTOM	0.7	1	51400 - SZ2 - 0000	FORK ASS'Y, RH.FR. (Silver)	1	Y	N	20120423	KMYSZ2BLSDC000001	KMYSZ2BLSDC000009
	0.9		51400 - SZ2 - RZ00	FORK ASS'Y, RH.FR. (Black)	1	Y		20120521	KMYSZ2BLSDC000010	
	0.9	2	51401 - SAB - 0000	SPRING, FR.FORK	2	N		20120423	KMYSZ2BLSDC000001	
		3	51410 - SZ2 - 0000	PIPE COMP., FORK	2	N		20120423	KMYSZ2BLSDC000001	
		4	51412 - BA5 - 9000	SPRING, REBOUND	2	N		20120423	KMYSZ2BLSDC000001	
		5	51412 - BA7 - 0000	SPRING, REBOUND	2	N		20120423	KMYSZ2BLSDC000001	KMYSZ2BLSDC000764
		6	51417 - BA5 - 9000	BUSH, SLIDE	2	N		20120423	KMYSZ2BLSDC000001	
		7	51420 - SAB - RZ00	CASE, RH.BOTTOM (Silver)	1	N	N	20120423	KMYSZ2BLSDC000001	KMYSZ2BLSDC000009
			51420 - SAB - RZ10	CASE, RH.BOTTOM (Black)	1	N		20120521	KMYSZ2BLSDC000010	
		8	51425 - BA5 - 9000	SEAL, DUST	2	N		20120423	KMYSZ2BLSDC000001	
		9	51427 - BA5 - 9000	BUSH, GUIDE	2	N		20120423	KMYSZ2BLSDC000001	
		10	51432 - SZ2 - 0000	PIECE, OIL LOCK	2	N		20120423	KMYSZ2BLSDC000001	
		11	51437 - BA5 - 9000	RING, PISTON	2	N		20120423	KMYSZ2BLSDC000001	
		12	51440 - SZ2 - 0000	PIPE, SEAT	2	N		20120423	KMYSZ2BLSDC000001	
		13	51441 - BA5 - 9000	RING, BACK UP	2	N		20120423	KMYSZ2BLSDC000001	
		14	51500 - SZ2 - 0000	FORK ASS'Y, LH.FR. (Silver)	1	Y	N	20120423	KMYSZ2BLSDC000001	KMYSZ2BLSDC000009
			51500 - SZ2 - RZ00	FORK ASS'Y, LH.FR. (Black)	1	Y		20120521	KMYSZ2BLSDC000010	
	15	51520 - SAB - RZ00	CASE, LH.BOTTOM (Silver)	1	N	N	20120423	KMYSZ2BLSDC000001	KMYSZ2BLSDC000009	
		51520 - SAB - RZ10	CASE, LH.BOTTOM (Black)	1	N		20120521	KMYSZ2BLSDC000010		
	16	90116 - BA6 - 7210 - M1	BOLT, SOCKET 8mm	2	Y		20120423	KMYSZ2BLSDC000001		
	17	90123 - SZ1 - 0000	BOLT, FR.FORK	2	N		20120423	KMYSZ2BLSDC000001		

## F - 09

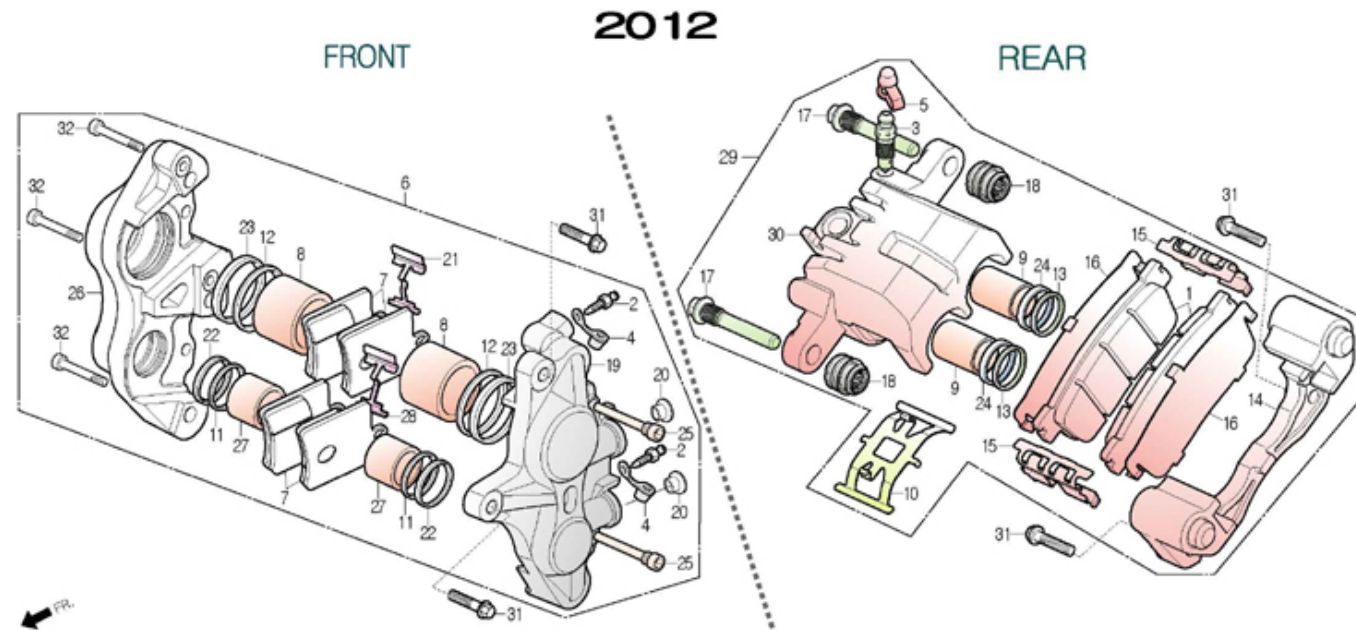
## FRONT FORK



Service item	FRT	Ref. No.	Part No.	Description	QTY	A/S	Exch	Start Date	Start FRM.No	End FRM.No
		18	90544 - HD2 - 0000	WASHER, SPECIAL 8mm	2	Y		20120423	KMYSZ2BLSDC000001	
		19	90601 - BA5 - 9000	RING, OIL SEAL STOP	2	N		20120423	KMYSZ2BLSDC000001	
		20	91255 - BA5 - 9000	SEAL, OIL	2	Y		20120423	KMYSZ2BLSDC000001	
		21	91356 - BA5 - 9000	O - RING	2	Y		20120423	KMYSZ2BLSDC000001	

## F - 10

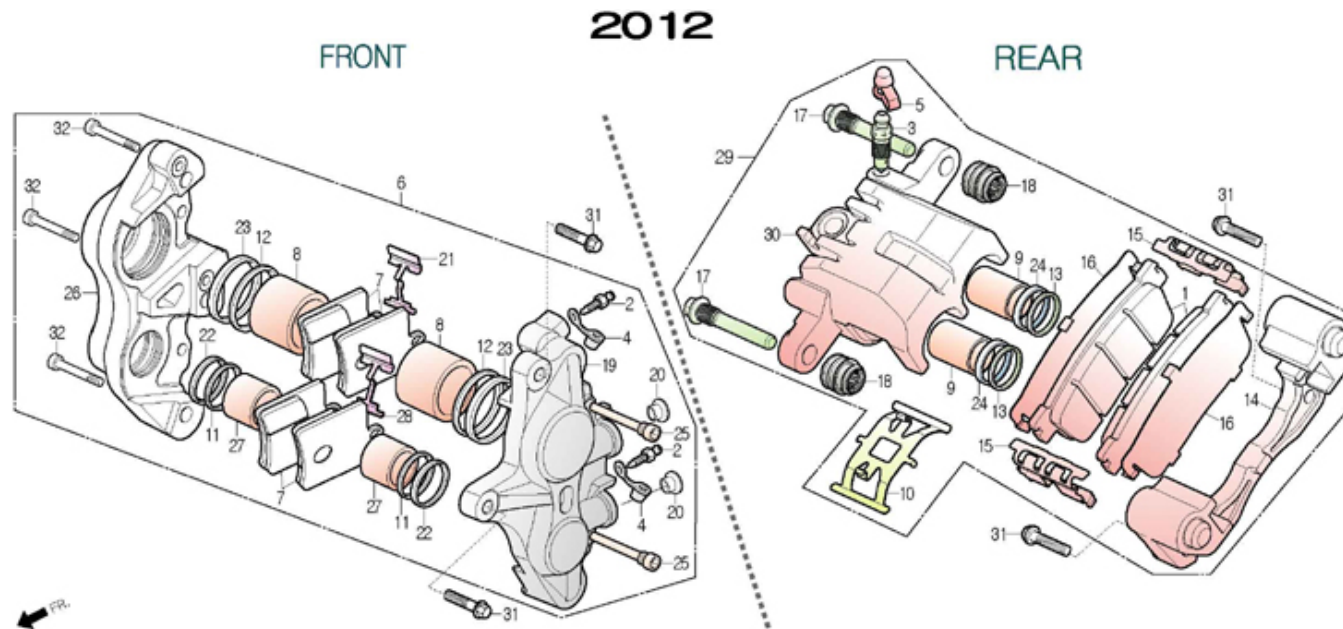
## BRAKE CALIPER



Service item	FRT	Ref. No.	Part No.	Description	QTY	A/S	Exch	Start Date	Start FRM.No	End FRM.No
CALIPER ASS'Y, LH.FR.	0.4	1	43105 - SZ2 - 0000	PAD COMP, INNER(6mm)	2	Y	Y	20120423	KMYSZ2BLSDC000001	KMYSZ2BLSDC000408
PAD COMP.(FR.)	0.3		43105 - SZ2 - 0010	PAD COMP, INNER(4mm)	2	Y		20121001	KMYSZ2BLSDC000409	
BRACKET, CALIPER(FR.)	0.3	2	43352 - SE6 - 9800	SCREW, BLEEDER	2	N		20120423	KMYSZ2BLSDC000001	
PISTON(FR.)	0.5	3	43352 - SZ2 - 0000	SCREW, BLEEDER	1	N		20120423	KMYSZ2BLSDC000001	
		4	43353 - SE6 - 9800	CAP, BLEEDER	2	N		20120423	KMYSZ2BLSDC000001	
		5	43353 - SZ2 - 0000	CAP, BLEEDER	1	N		20120423	KMYSZ2BLSDC000001	
		6	45100 - SZ2 - 0000	CALIPER ASS'Y, LH.FR. (Silver)	1	Y	N	20120423	KMYSZ2BLSDC000001	KMYSZ2BLSDC000009
			45100 - SZ2 - RZ00	CALIPER ASS'Y, LH.FR. (Gold)	1	Y		20120521	KMYSZ2BLSDC000010	
		7	45105 - SZ2 - 0000	PAD COMP.	4	N	Y	20120423	KMYSZ2BLSDC000001	KMYSZ2BLSDC000337
			45105 - SZ2 - 0010	PAD COMP.	4	Y		20120815	KMYSZ2BLSDC000338	
		8	45107 - SZ1 - 0100	PISTON A	2	N		20120423	KMYSZ2BLSDC000001	
		9	45107 - SZ2 - 0000	PISTON	2	N		20120423	KMYSZ2BLSDC000001	
		10	45108 - SZ2 - 0000	SPRING, PAD	1	N		20120423	KMYSZ2BLSDC000001	
		11	45109 - BA5 - 9000	SEAL, DUST	2	N		20120423	KMYSZ2BLSDC000001	
		12	45109 - BA6 - 1060	SEAL, DUST	2	N		20120423	KMYSZ2BLSDC000001	
		13	45109 - SZ2 - 0000	SEAL, DUST	2	N		20120423	KMYSZ2BLSDC000001	
		14	45110 - SZ2 - 0000	BRACKET, CALIPER	1	N		20120423	KMYSZ2BLSDC000001	
		15	45112 - SZ2 - 0000	RETAINER	2	N		20120423	KMYSZ2BLSDC000001	
		16	45114 - SZ2 - 0000	SHIM, LH.	2	N		20120423	KMYSZ2BLSDC000001	
		17	45131 - SZ2 - 0000	BOLT, PIN A	2	N		20120423	KMYSZ2BLSDC000001	
		18	45133 - SZ2 - 0000	BOOT, PIN	2	N		20120423	KMYSZ2BLSDC000001	

# F - 10

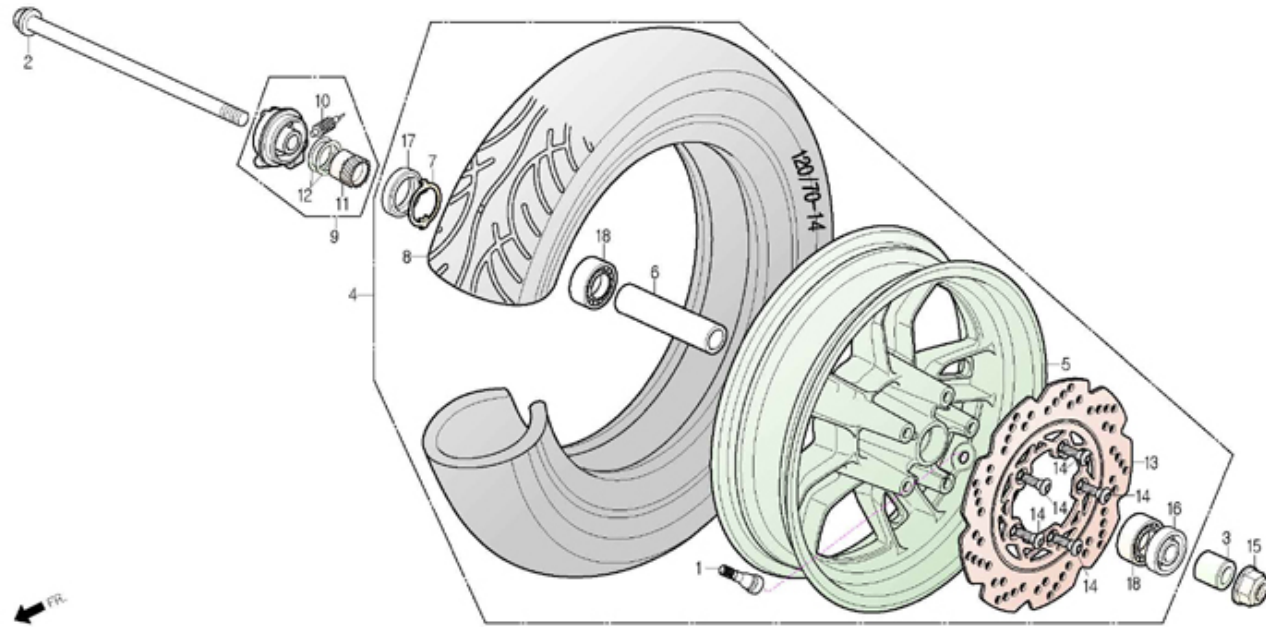
## BRAKE CALIPER



Service item	FRT	Ref. No.	Part No.	Description	QTY	A/S	Exch	Start Date	Start FRM.No	End FRM.No
		19	45201 - SZ1 - 0100	CALIPER BODY, LH. (Silver)	1	N	N	20120423	KMYSZ2BLSDC000001	KMYSZ2BLSDC000009
			45201 - SA4 - R300	CALIPER BODY, LH. (Gold)	1	N		20120521	KMYSZ2BLSDC000010	
		20	45204 - BA6 - 0000	PLUG	2	N		20120423	KMYSZ2BLSDC000001	
		21	45208 - SZ1 - 0100 - M4	SPRING, FR.PAD	1	N		20120423	KMYSZ2BLSDC000001	
		22	45209 - BA5 - 9000	SEAL, PISTON	2	N		20120423	KMYSZ2BLSDC000001	
		23	45209 - BA6 - 1060	SEAL, PISTON	2	N		20120423	KMYSZ2BLSDC000001	
		24	45209 - SZ2 - 0000	SEAL, PISTON	2	N		20120423	KMYSZ2BLSDC000001	
		25	45215 - BA5 - 9000	PIN, HANGER	2	N		20120423	KMYSZ2BLSDC000001	
		26	45301 - SZ1 - 0100	CALIPER BODY, RH. (Silver)	1	N	N	20120423	KMYSZ2BLSDC000001	KMYSZ2BLSDC000009
			45301 - SA4 - R300	CALIPER BODY, RH. (Gold)	1	N		20120521	KMYSZ2BLSDC000010	
		27	45307 - SZ1 - 0100	PISTON B	2	N		20120423	KMYSZ2BLSDC000001	
		28	45308 - SZ1 - 0100 - M4	SPRING, RR.PAD	1	N		20120423	KMYSZ2BLSDC000001	
		29	46200 - SZ2 - 0000	CALIPER ASS'Y, RR.	1	N	Y	20120423	KMYSZ2BLSDC000001	KMYSZ2BLSDC000408
			46200 - SZ2 - 0010	CALIPER ASS'Y, RR.	1	Y		20121001	KMYSZ2BLSDC000409	
		30	46201 - SZ2 - 0000	BODY, CALIPER	1	N		20120423	KMYSZ2BLSDC000001	
		31	90101 - BA4 - 0000	BOLT, SPECIAL FLANGE 8x31	4	Y		20120423	KMYSZ2BLSDC000001	
		32	S6700 - 08040 - 00	BOLT, SOCKET 8x35	3	Y		20120423	KMYSZ2BLSDC000001	

## F - 11

## FRONT WHEEL

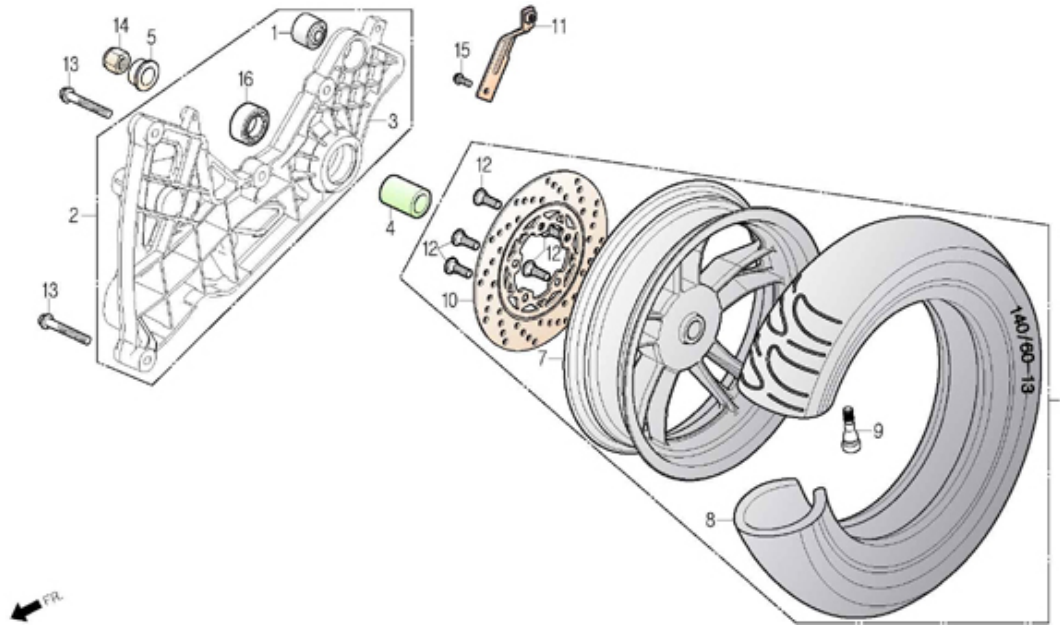


Service item	FRT	Ref. No.	Part No.	Description	QTY	A/S	Exch	Start Date	Start FRM.No	End FRM.No
WHEEL ASS'Y, FR.	0.5	1	42753 - BA7 - 0000	VALVE, RIM TR 413	1	Y		20120423	KMYSZ2BLSDC000001	
AXLE, FR.WHEEL	0.1	2	44301 - SA2 - 0000	AXLE, FR.WHEEL	1	Y		20120423	KMYSZ2BLSDC000001	
WHEEL, FR.CAST	0.7	3	44311 - CB3 - 1000	COLLAR, FR.WHEEL SIDE	1	Y		20120423	KMYSZ2BLSDC000001	
COLLAR, FR.AXLE DISTANCE	0.6	4	44600 - SZ2 - 0000	WHEEL ASS'Y, FR.	1	N		20120423	KMYSZ2BLSDC000001	
BEARING, RADIAL BALL 6301U	0.5	5	44601 - SAB - RZ00	WHEEL, FR. CAST	1	Y		20120423	KMYSZ2BLSDC000001	
GEAR BOX ASS'Y, SPEEDOMETER	0.6 0.4	6	44620 - SAB - 0000	COLLAR, FR.AXLE DISTANCE	1	Y		20120423	KMYSZ2BLSDC000001	
TIRE, FR.		7	44680 - BA6 - 1000	RETAINER, GEAR BOX	1	Y		20120423	KMYSZ2BLSDC000001	
DISK, FR.BRAKE		8	44711 - SZ2 - 0000	TIRE, FR.	1	Y		20120423	KMYSZ2BLSDC000001	
		9	44800 - SAB - RZ00	GEAR BOX ASS'Y, SPEEDOMETER	1	Y		20120423	KMYSZ2BLSDC000001	
		10	44805 - SAB - RZ00	PINION, SPEEDOMETER	1	N		20120423	KMYSZ2BLSDC000001	
		11	44806 - SAB - RZ00	GEAR, SPEEDOMETER	1	N		20120423	KMYSZ2BLSDC000001	
		12	44808 - BA6 - 7010 - Y1	WASHER, GEAR	2	N		20120423	KMYSZ2BLSDC000001	
		13	45121 - SZ2 - 0000	DISK, FR.BRAKE	1	Y		20120423	KMYSZ2BLSDC000001	
		14	90106 - BA5 - 0000	BOLT, FR.DISK 8x24	5	Y		20120423	KMYSZ2BLSDC000001	
		15	90306 - CB3 - 0000	NUT, FLANGE 12mm	1	Y		20120423	KMYSZ2BLSDC000001	
		16	91252 - BA6 - 0030	SEAL, OIL 23x37x7	1	Y		20120423	KMYSZ2BLSDC000001	
		17	91258 - BA6 - 0060	SEAL, DUST 40x50x5	1	Y		20120423	KMYSZ2BLSDC000001	
		18	S6140 - 63010 - 10	BEARING, RADIAL BALL 6301U	2	Y		20120423	KMYSZ2BLSDC000001	



## F - 12

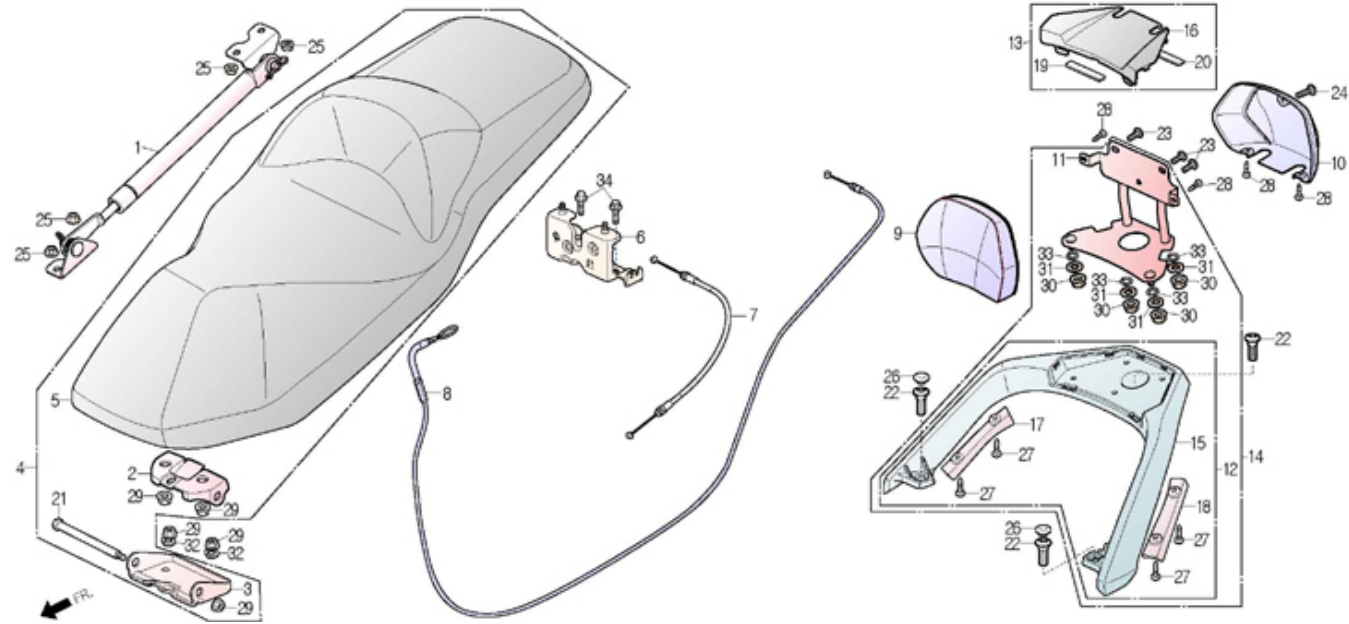
## REAR WHEEL



Service item	FRT	Ref. No.	Part No.	Description	QTY	A/S	Exch	Start Date	Start FRM.No	End FRM.No
ARM ASS'Y, RR.SWING	0.4	1	11202 - SZ1 - 0000	BUSH, RR.CUSHION UNDER RUBBER	1	Y		20120423	KMYSZ2BLSDC000001	
BUSH, RR.CUSHION UNDER RUBBER	0.6	2	4230A - SZ2 - 0000	ARM ASS'Y, RR.SWING	1	Y		20120423	KMYSZ2BLSDC000001	
RUBBER	0.5	3	42301 - SZ2 - 0000	ARM, RR.SWING	1	N		20120423	KMYSZ2BLSDC000001	
WHEEL ASS'Y, RR.	0.7	4	42304 - SZ1 - 0000	COLLAR, RR.WHEEL INSIDE	1	Y		20120423	KMYSZ2BLSDC000001	
WHEEL, RR.CAST	0.7	5	42305 - SZ1 - 0000	COLLAR, RR.WHEEL OUTSIDE	1	Y		20120423	KMYSZ2BLSDC000001	
TIRE, RR.	0.5	6	42600 - SAB - RZ10	WHEEL ASS'Y, RR.	1	N		20120423	KMYSZ2BLSDC000001	
DISK, BRAKE		7	42601 - SAB - 0000	WHEEL, RR.CAST	1	Y		20120423	KMYSZ2BLSDC000001	
		8	42711 - SAB - RZ00	TIRE, RR.(140/60 - 13)	1	Y		20120423	KMYSZ2BLSDC000001	
		9	42753 - BA7 - 0000	VALVE, RIM TR 413	1	Y		20120423	KMYSZ2BLSDC000001	
		10	45121 - SA7 - 0000	DISK, FR.BRAKE(Use RR.)	1	Y		20120423	KMYSZ2BLSDC000001	
		11	61121 - SZ2 - 0000	RH.STAY, RR.WHEEL MUDGUARD	1	Y		20120423	KMYSZ2BLSDC000001	
		12	90106 - BA5 - 0000	BOLT, FR.DISK 8x24	5	Y		20120423	KMYSZ2BLSDC000001	
		13	90158 - SAB - RZ00	BOLT, SPECIAL FLANGE 8x45(H.tension)	2	Y		20120423	KMYSZ2BLSDC000001	
		14	90305 - SC1 - 9020	NUT, U 16mm	1	Y		20120423	KMYSZ2BLSDC000001	
		15	S5701 - 06012 - 07	BOLT, FLANGE 6x12	1	Y		20120423	KMYSZ2BLSDC000001	
		16	S6150 - 62040 - 10	BEARING, BALL RADIAL 6204(UU)	1	Y		20120423	KMYSZ2BLSDC000001	

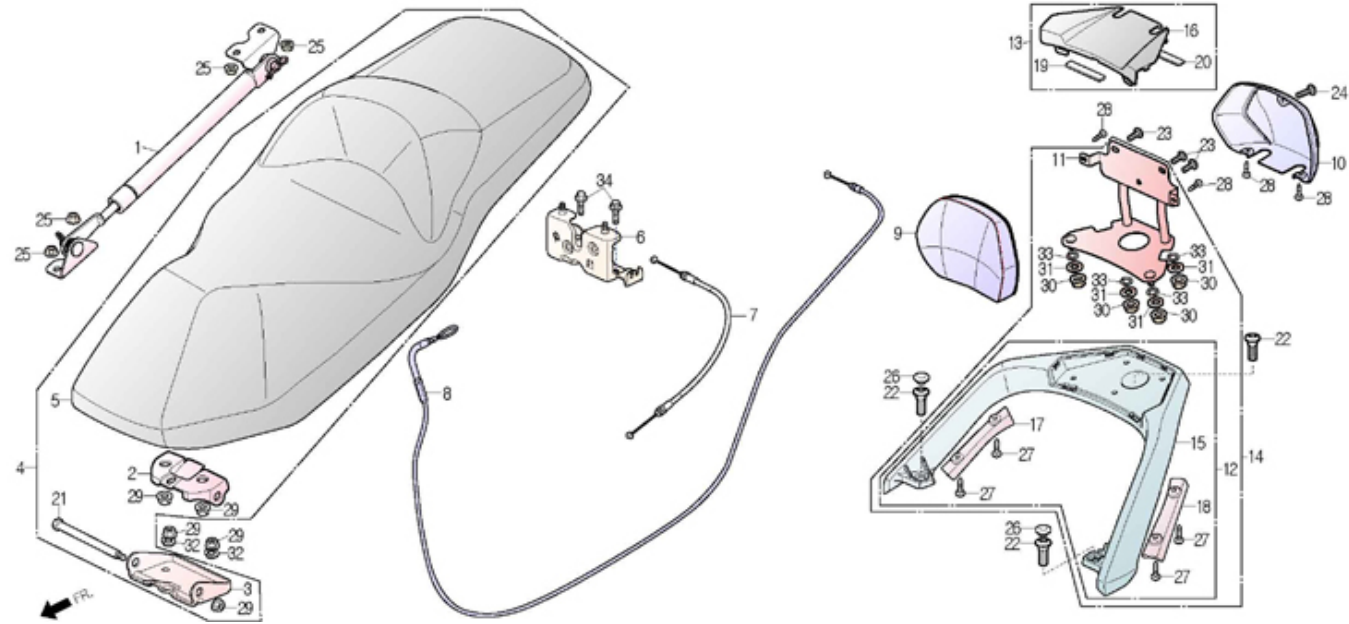
# F - 13

## SEAT



Service item	FRT	Ref. No.	Part No.	Description	QTY	A/S	Exch	Start Date	Start FRM.No	End FRM.No
SEAT ASS'Y, MAIN	0.1	1	51800 - SAB - 0000 - M1	CYLINDER ASS'Y, SEAT GAS SPRING	1	Y		20120423	KMYSZ2BLSDC000001	
CATCH COMP., SEAT	0.2	2	77101 - SZ1 - 0000	HINGE A, SEAT	1	Y		20120423	KMYSZ2BLSDC000001	
CYLINDER ASS'Y, SEAT GAS SPRING	0.1	3	77112 - SA7 - 0000	HINGE B, SEAT	1	Y		20120423	KMYSZ2BLSDC000001	
CABLE A, SEAT LOCK	0.8	5	77200 - SZ2 - 0000	SEAT ASS'Y, MAIN	1	N	Y	20120423	KMYSZ2BLSDC000001	KMYSZ2BLSDC000009
CABLE B, SEAT LOCK	0.2		77200 - SZ2 - 0010	SEAT ASS'Y, MAIN	1	Y		20120521	KMYSZ2BLSDC000010	
REST ASS'Y, BACK CARRIER, RR.	0.2	6	77235 - SAB - 0000	CATCH COMP., SEAT	1	Y		20120423	KMYSZ2BLSDC000001	
		7	77240 - SAB - 0000	CABLE A, SEAT LOCK	1	Y		20120423	KMYSZ2BLSDC000001	
		8	77250 - SAB - 0000	CABLE B, SEAT LOCK	1	Y		20120423	KMYSZ2BLSDC000001	
		9	77303 - SZ2 - 0000	CUSHION ASS'Y, BACK REST	1	Y		20120423	KMYSZ2BLSDC000001	
		10	77304 - SZ2 - 0000	COVER, BACK REST	1	Y		20120423	KMYSZ2BLSDC000001	
		11	77306 - SZ2 - 0000	STAY, BACK REST	1	Y		20120423	KMYSZ2BLSDC000001	
		12	8120A - SZ2 - 0000 - GB	CARRIER ASS'Y, RR.(G/BLUE)	1	Y		20120423	KMYSZ2BLSDC000001	
			8120A - SZ2 - 0000 - NG	CARRIER ASS'Y, RR.(B/GRAY)	1	Y		20120901	KMYSZ2BLSDC000343	
			8120A - SZ2 - 0000 - TS	CARRIER ASS'Y, RR.(T/SILVER)	1	Y		20120423	KMYSZ2BLSDC000001	
			8120A - SZ2 - 0000 - WL	CARRIER ASS'Y, RR.(W/GOLD)	1	Y		20120423	KMYSZ2BLSDC000001	
		13	8120B - SZ2 - 0000	COVER ASS'Y, RR.CARRIER	1	Y		20120423	KMYSZ2BLSDC000001	
		14	8120S - SZ2 - 0000 - GB	CARRIER SUB ASS'Y, REAR(G/BLUE)	1	Y		20120423	KMYSZ2BLSDC000001	
			8120S - SZ2 - 0000 - NG	CARRIER SUB ASS'Y, REAR(B/GRAY)	1	Y		20120901	KMYSZ2BLSDC000343	
			8120S - SZ2 - 0000 - TS	CARRIER SUB ASS'Y, REAR(T/SILVER)	1	Y		20120423	KMYSZ2BLSDC000001	
			8120S - SZ2 - 0000 - WL	CARRIER SUB ASS'Y, REAR(W/GOLD)	1	Y		20120423	KMYSZ2BLSDC000001	
		15	81200 - SZ2 - 0000 - GB	CARRIER, RR.(G/BLUE)	1	Y		20120423	KMYSZ2BLSDC000001	

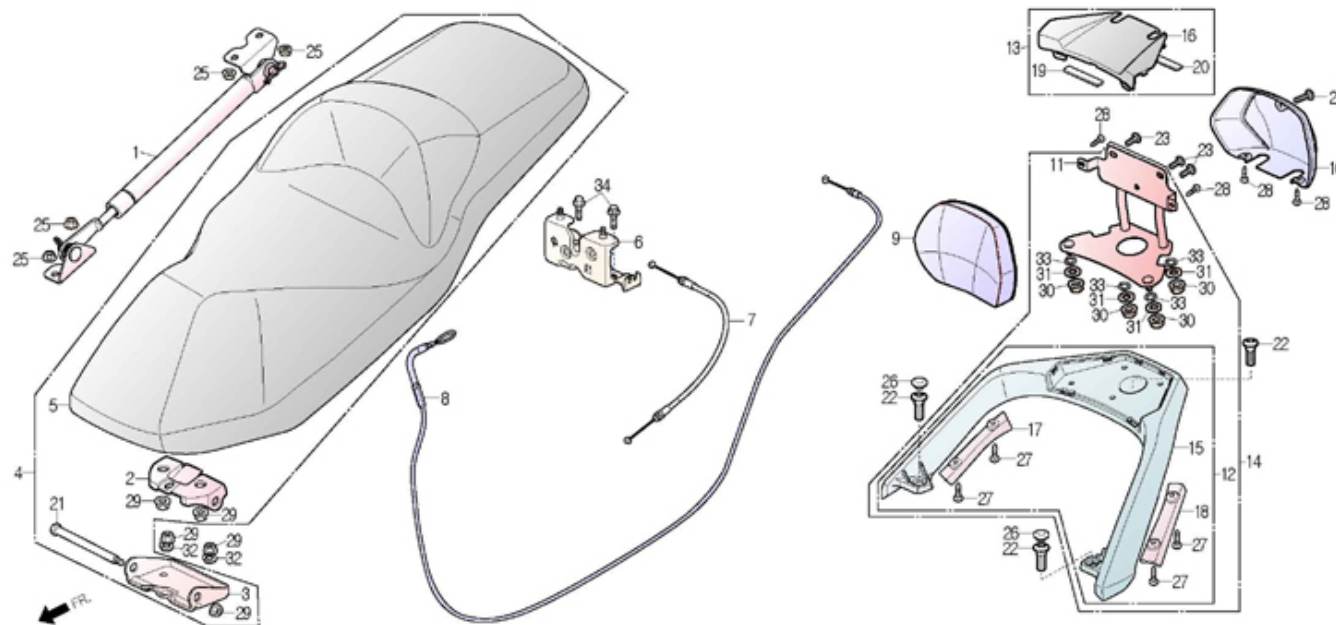
F - 13  
SEAT



Service item	FRT	Ref. No.	Part No.	Description	QTY	A/S	Exch	Start Date	Start FRM.No	End FRM.No
			81200 - SZ2 - 0000 - NG CARRIER, RR. (B/GRAY)		1	Y		20120901	KMYSZ2BLSDC000343	
			81200 - SZ2 - 0000 - TS CARRIER, RR. (T/SILVER)		1	Y		20120423	KMYSZ2BLSDC000001	
			81200 - SZ2 - 0000 - WL CARRIER, RR. (W/GOLD)		1	Y		20120423	KMYSZ2BLSDC000001	
		16	81201 - SZ2 - 0000	COVER, RR.CARRIER	1	N		20120423	KMYSZ2BLSDC000001	
		17	81208 - SAB - 0000	GRIP, RH.RR.CARRIER	1	N		20120423	KMYSZ2BLSDC000001	
		18	81209 - SAB - 0000	GRIP, LH.RR.CARRIER	1	N		20120423	KMYSZ2BLSDC000001	
		19	87152 - SAB - 0000	SPONGE RUBBER, RR.CARRIER COVER	1	N		20120423	KMYSZ2BLSDC000001	
		20	87153 - SZ2 - 0000	RUBBER B, RR.CARRIER COVER	1	N		20120423	KMYSZ2BLSDC000001	
		21	90102 - CB4 - 0000	BOLT, SEAT HINGE	1	Y		20120423	KMYSZ2BLSDC000001	
		22	90106 - SZ1 - 0000	BOLT, SPECIAL 8x24	3	Y		20120423	KMYSZ2BLSDC000001	
		23	90110 - SE5 - 0000	SCREW, SPECIAL 6x14	3	Y		20120423	KMYSZ2BLSDC000001	
		24	90115 - BZ1 - 0100	SCREW, FR.COVER SETTING 5x20	1	Y		20120423	KMYSZ2BLSDC000001	
		25	90301 - SB1 - 0000	NUT, OPEN STAY 6mm	4	Y		20120423	KMYSZ2BLSDC000001	
		26	91456 - SZ1 - 0000	CAP, SOCKET BOLT 8mm	2	Y		20120423	KMYSZ2BLSDC000001	
		27	S3903 - 25280	SCREW, TAPPING 5x12	4	N		20120423	KMYSZ2BLSDC000001	
		28	S3903 - 34A80	SCREW, TAPPING 4x14	4	Y		20120423	KMYSZ2BLSDC000001	
		29	S4050 - 06080	NUT, FLANGE 6mm	5	N		20120423	KMYSZ2BLSDC000001	
		30	S4050 - 08080	NUT, FLANGE, 8mm	4	Y		20120423	KMYSZ2BLSDC000001	
		31	S4101 - 08800	WASHER, PLAIN,8mm	4	Y		20120423	KMYSZ2BLSDC000001	
		32	S4111 - 06800	WASHER, SPRING 6mm	2	Y		20120423	KMYSZ2BLSDC000001	
		33	S4111 - 08800	WASHER, SPRING 8mm	4	N		20120423	KMYSZ2BLSDC000001	

# F - 13

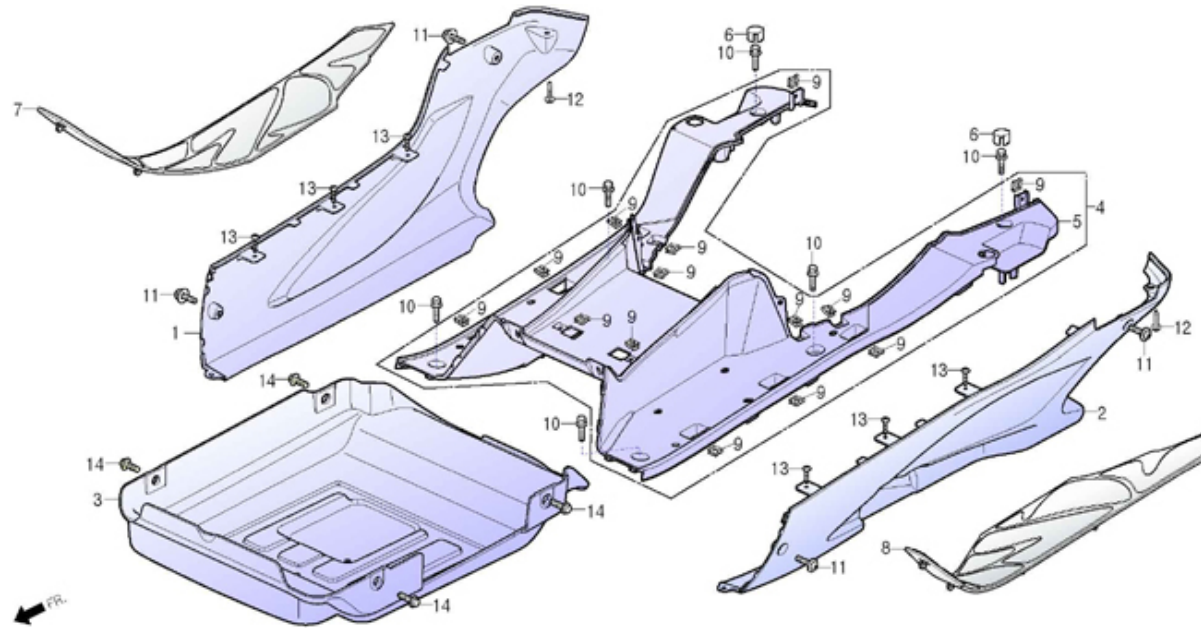
## SEAT



Service item	FRT	Ref. No.	Part No.	Description	QTY	A/S	Exch	Start Date	Start FRM.No	End FRM.No
		34	S5701 - 06012 - 00	BOLT, FLANGE 6x12	2	Y		20120423	KMYSZ2BLSDC000001	

## F - 14

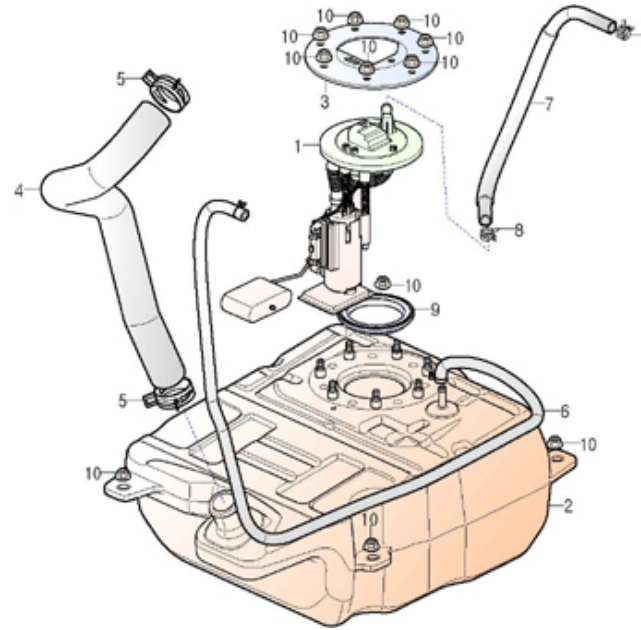
FLOOR PANEL / UNDER COVER / FLOOR SIDE COVER



Service item	FRT	Ref. No.	Part No.	Description	QTY	A/S	Exch	Start Date	Start FRM.No	End FRM.No
COVER, RH.FLOOR SIDE	0.2	1	50613 - SZ2 - 0000 - GB	COVER, RH.FLOOR SIDE(G/BLUE)	1	Y		20120423	KMYSZ2BLSDC000001	
COVER, LH.FLOOR SIDE	0.2		50613 - SZ2 - 0000 - NG	COVER, RH.FLOOR SIDE(B/GRAY)	1	Y		20120901	KMYSZ2BLSDC000343	
COVER, UNDER	0.3		50613 - SZ2 - 0000 - TS	COVER, RH.FLOOR SIDE(T/SILVER)	1	Y		20120423	KMYSZ2BLSDC000001	
PANEL ASS'Y, FLOOR	0.5		50613 - SZ2 - 0000 - WL	COVER, RH.FLOOR SIDE(W/GOLD)	1	Y		20120423	KMYSZ2BLSDC000001	
		2	50614 - SZ2 - 0000 - GB	COVER, LH.FLOOR SIDE(G/BLUE)	1	Y		20120423	KMYSZ2BLSDC000001	
			50614 - SZ2 - 0000 - NG	COVER, LH.FLOOR SIDE(B/GRAY)	1	Y		20120901	KMYSZ2BLSDC000343	
			50614 - SZ2 - 0000 - TS	COVER, LH.FLOOR SIDE(T/SILVER)	1	Y		20120423	KMYSZ2BLSDC000001	
			50614 - SZ2 - 0000 - WL	COVER, LH.FLOOR SIDE(W/GOLD)	1	Y		20120423	KMYSZ2BLSDC000001	
		3	50621 - SZ2 - 0000	COVER, UNDER	1	Y		20120423	KMYSZ2BLSDC000001	
		4	6431A - SZ2 - 0000	PANEL ASS'Y, FLOOR	1	Y		20120423	KMYSZ2BLSDC000001	
		5	64310 - SZ2 - 0000	PANEL, FLOOR	1	N		20120423	KMYSZ2BLSDC000001	
		6	64311 - SE1 - 0000	CAP A, FLOOR PANEL(BEIGE)	2	N	Y	20120423	KMYSZ2BLSDC000001	KMYSZ2BLSDC001022
			64311 - SE1 - RB00	CAP A, FLOOR PANEL(BLACK)	2	Y		20130501	KMYSZ2BLSDC001023	
		7	64320 - SAB - 0000	MAT, RH.FLOOR	1	Y		20120423	KMYSZ2BLSDC000001	
		8	64330 - SAB - 0000	MAT, LH.FLOOR	1	Y		20120423	KMYSZ2BLSDC000001	
		9	90302 - SA4 - 0030	NUT, SPRING 4mm	14	Y		20120423	KMYSZ2BLSDC000001	
		10	S3404 - 06020 - 00	BOLT, WASHER 6x20	6	Y		20120423	KMYSZ2BLSDC000001	
		11	S3891 - 05014 - 07	SCREW, WASHER 5x14	4	Y		20120423	KMYSZ2BLSDC000001	
		12	S3903 - 25380	SCREW, TAPPING 5x16	2	Y		20120423	KMYSZ2BLSDC000001	
		13	S3903 - 34A80	SCREW, TAPPING 4x14	6	Y		20120423	KMYSZ2BLSDC000001	
		14	S5701 - 06012 - 00	BOLT, FLANGE 6x12	4	Y		20120423	KMYSZ2BLSDC000001	

## F - 15

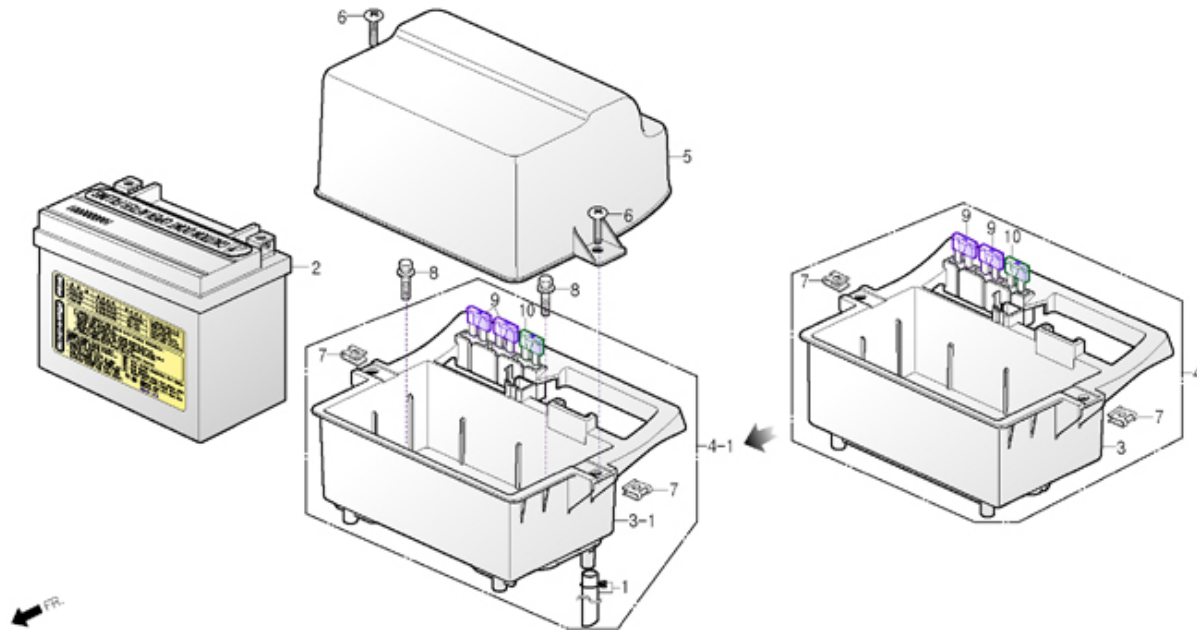
## FUEL TANK



Service item	FRT	Ref. No.	Part No.	Description	QTY	A/S	Exch	Start Date	Start FRM.No	End FRM.No
PUMP ASS'Y, FUEL	0.3	1	16700 - SAB - 0000	PUMP ASS'Y, FUEL	1	Y		20120423	KMYSZ2BLSDC000001	
TANK COMP., FUEL	1.3	2	17510 - SAB - 0010	TANK COMP., FUEL	1	N	Y	20120423	KMYSZ2BLSDC000001	KMYSZ2BLSDC000451
			17510 - SAB - 0020	TANK COMP., FUEL	1	Y		20121112	KMYSZ2BLSDC000452	
		3	17514 - SAB - 0000	PLATE, FUEL PUMP SETTING	1	Y		20120423	KMYSZ2BLSDC000001	
		4	17610 - SAB - 0000	TUBE, FUEL SUPPLY	1	Y		20120423	KMYSZ2BLSDC000001	
		5	17612 - SZ1 - 0000	CLIP, TUBE	2	Y		20120423	KMYSZ2BLSDC000001	
		6	17615 - SAB - 0000	TUBE, BREATHER	1	Y		20120423	KMYSZ2BLSDC000001	
		7	17636 - SAB - 0000	HOSE, FUEL	1	Y		20120423	KMYSZ2BLSDC000001	
		8	19411 - SA4 - 0000	CLIP, HOSE	2	Y		20120423	KMYSZ2BLSDC000001	
		9	91305 - SAB - 0000	PACKING RUBBER, FUEL PUMP	1	Y		20120423	KMYSZ2BLSDC000001	
		10	S4050 - 06080	NUT, FLANGE 6mm	11	Y		20120423	KMYSZ2BLSDC000001	

## F - 16

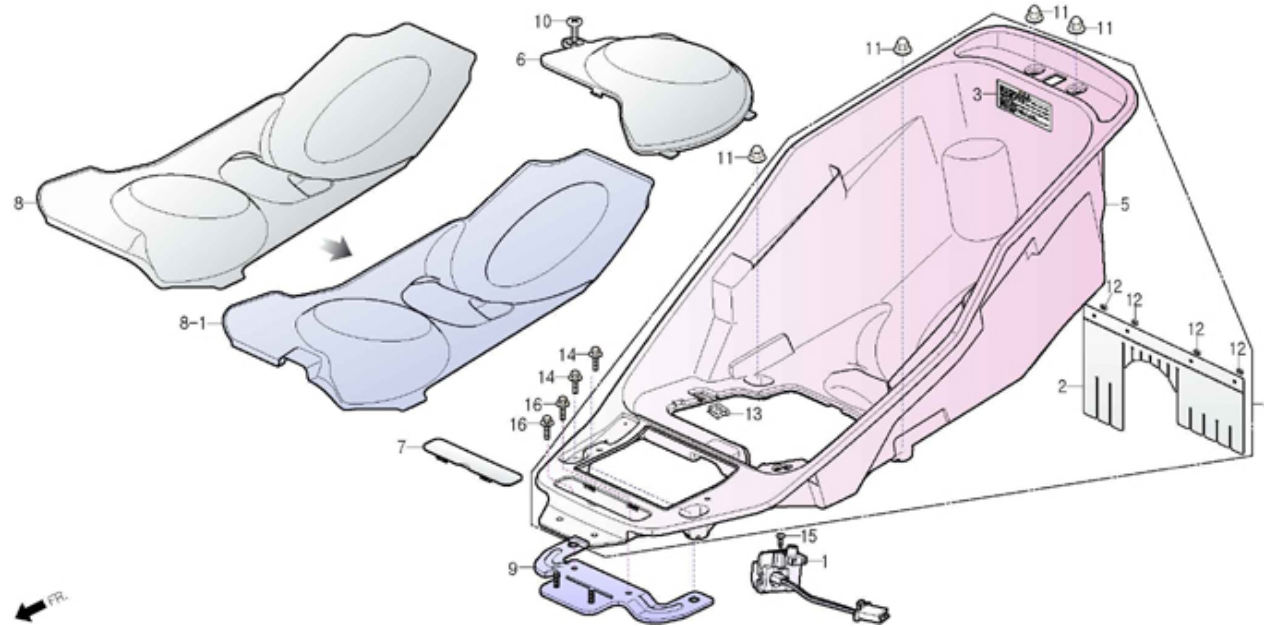
## BATTERY



Service item	FRT	Ref. No.	Part No.	Description	QTY	A/S	Exch	Start Date	Start FRM.No	End FRM.No
BATTERY	0.5	1	17519 - SZ2 - 0000	VINYL TUBE 6x9x390	1	Y		20130305	KMYSZ2BLSDC000779	
BOX ASS'Y, BATTERY	0.1	2	31500 - BA4 - 0000 - M1	BATTERY 12V 10AH(MF)	1	Y		20120423	KMYSZ2BLSDC000001	
		3	50256 - SZ2 - 0000	BOX, BATTERY	1	N	Y	20120423	KMYSZ2BLSDC000001	KMYSZ2BLSDC000778
		3 - 1	50256 - SZ2 - 0010	BOX, BATTERY	1	N		20130305	KMYSZ2BLSDC000779	
		4	50320 - SZ2 - 0000	BOX ASS'Y, BATTERY	1	N	Y	20120423	KMYSZ2BLSDC000001	KMYSZ2BLSDC000778
		4 - 1	50320 - SZ2 - 0010	BOX ASS'Y, BATTERY	1	Y		20130305	KMYSZ2BLSDC000779	
		5	50326 - SAB - 0000	COVER, BATTERY	1	Y		20120423	KMYSZ2BLSDC000001	
		6	90115 - BZ1 - 0100	SCREW, FR.COVER SETTING 5x20	2	Y		20120423	KMYSZ2BLSDC000001	
		7	90677 - SE5 - 0030	NUT, CLIP 5mm	2	Y		20120423	KMYSZ2BLSDC000001	
		8	S3404 - 06016 - 07	BOLT, WASHER 6x16	2	Y		20120423	KMYSZ2BLSDC000001	
		9	S8200 - 31500	BLADE FUSE 15A	2	Y		20120423	KMYSZ2BLSDC000001	
		10	S8200 - 33000	BLADE FUSE 30A	1	Y		20120423	KMYSZ2BLSDC000001	

## F - 17

## LUGGAGE BOX

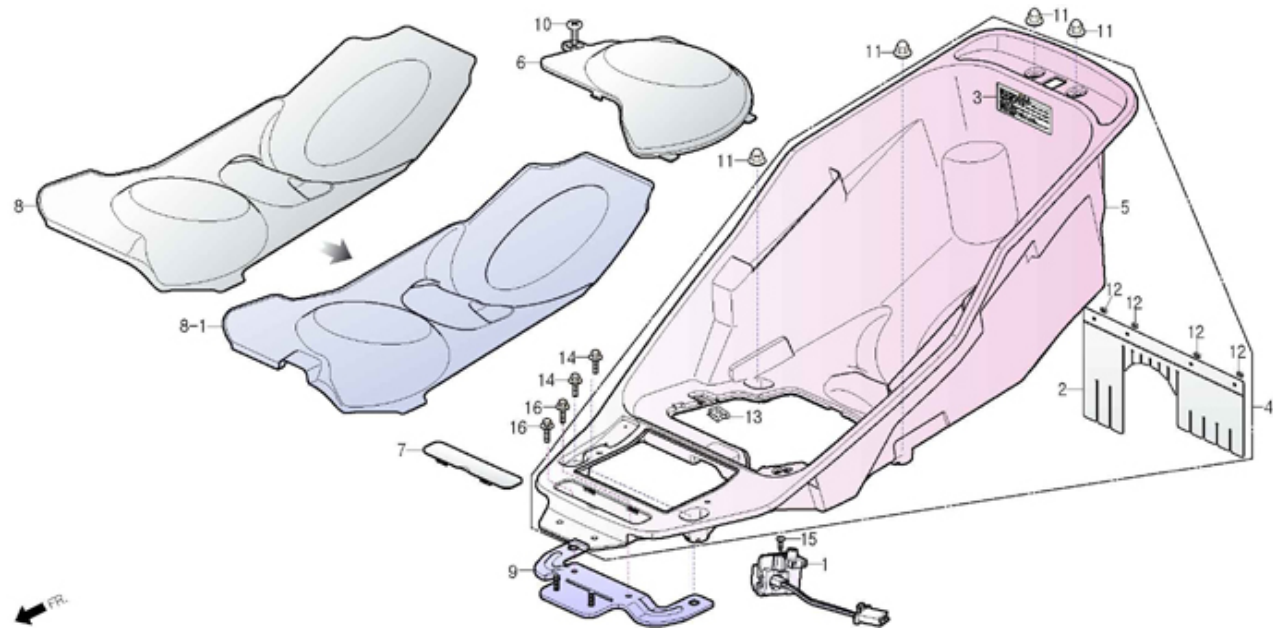


Service item	FRT	Ref. No.	Part No.	Description	QTY	A/S	Exch	Start Date	Start FRM.No	End FRM.No
LAMP, TRUNK	0.2	1	33900 - SA1 - 0110 - M1	LAMP, TRUNK	1	Y		20120423	KMYSZ2BLSDC000001	
BOX ASS'Y, LUGGAGE	0.2	2	80104 - SAB - 0000	PLATE, SPLASH GUARD	1	Y		20120423	KMYSZ2BLSDC000001	
		3	81218 - SA1 - RB00	LABEL, LUG.BOX CAUTION(GERMANY)	1	N		20120423	KMYSZ2BLSDC000001	
			81218 - SE5 - RC00	LABEL, LUGGAGE BOX CA'ION(ITALY)	1	N		20120423	KMYSZ2BLSDC000001	
			81218 - SE5 - RE00	LABEL, LUGGAGE BOX CA'ION(FRANCE)	1	N		20120423	KMYSZ2BLSDC000001	
			81218 - SE5 - RJ00	LABEL, LUGGAGE BOX CA'ION(SPAIN)	1	N		20120423	KMYSZ2BLSDC000001	
			81218 - SE5 - 3000 - B1	LABEL, LUGGAGE BOX CA'ION(ENGLISH)	1	N		20120423	KMYSZ2BLSDC000001	
		4	8125A - SZ2 - MA00	BOX ASS'Y, LUGGAGE	1	Y		20120423	KMYSZ2BLSDC000001	
			8125A - SZ2 - RB00	BOX ASS'Y, LUGGAGE(GERMANY)	1	Y		20120423	KMYSZ2BLSDC000001	
			8125A - SZ2 - RC00	BOX ASS'Y, LUGGAGE(ITALY)	1	Y		20120423	KMYSZ2BLSDC000001	
			8125A - SZ2 - RE00	BOX ASS'Y, LUGGAGE(FRANCE)	1	Y		20120423	KMYSZ2BLSDC000001	
			8125A - SZ2 - RJ00	BOX ASS'Y, LUGGAGE(SPAIN)	1	Y		20120423	KMYSZ2BLSDC000001	
		5	81250 - SAB - 0000	BOX, LUGGAGE	1	N	N	20120423	KMYSZ2BLSDC000001	KMYSZ2BLSDC000153
			81250 - SAB - 0010	BOX, LUGGAGE	1	N		20120604	KMYSZ2BLSDC000154	
		6	81251 - SAB - 0000	COVER, ENGINE MAINTENANCE	1	Y	N	20120423	KMYSZ2BLSDC000001	KMYSZ2BLSDC000451
			81251 - SAB - 0010	COVER, ENGINE MAINTENANCE	1	Y		20121112	KMYSZ2BLSDC000452	
		7	81253 - SAB - 0000	CAP, LUGGAGE BOX	1	Y		20120423	KMYSZ2BLSDC000001	
		8	81257 - SAB - 0000	MAT, LUGGAGE BOX	1	Y	N	20120423	KMYSZ2BLSDC000001	KMYSZ2BLSDC000153
		8 - 1	81257 - SAB - 0010	MAT, LUGGAGE BOX	1	Y		20120604	KMYSZ2BLSDC000154	
		9	81259 - SZ2 - 0000	STAY, LUGGAGE BOX	1	Y		20120423	KMYSZ2BLSDC000001	
		10	90124 - CB4 - 0010	SCREW, SPECIAL 6x16	1	Y		20120423	KMYSZ2BLSDC000001	
		11	90301 - SB1 - 0000	NUT, OPEN STAY 6mm	4	Y		20120423	KMYSZ2BLSDC000001	



## F - 17

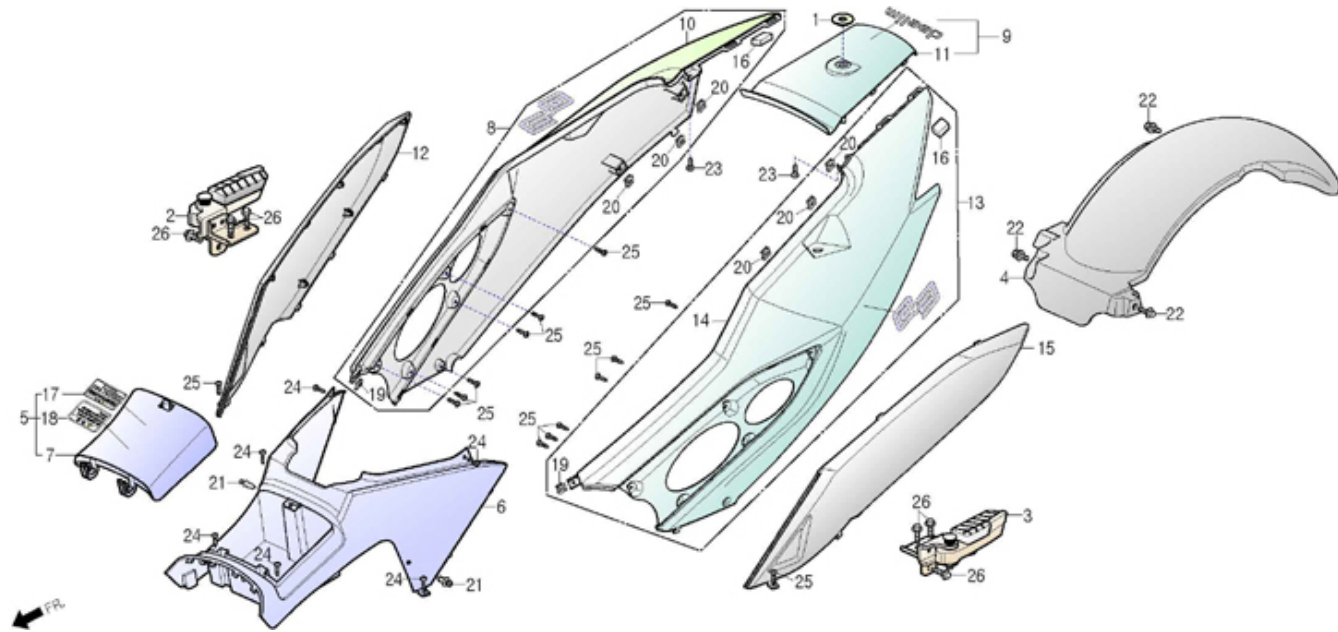
## LUGGAGE BOX



Service item	FRT	Ref. No.	Part No.	Description	QTY	A/S	Exch	Start Date	Start FRM.No	End FRM.No
		12	90301 - SE5 - 0000	NUT, CLIP	4	Y		20120423	KMYSZ2BLSDC000001	
		13	90305 - SE5 - 1000	NUT, CLIP 6mm	1	Y		20120423	KMYSZ2BLSDC000001	
		14	S3404 - 06016 - 07	BOLT, WASHER 6x12	2	Y		20120423	KMYSZ2BLSDC000001	
		15	S3903 - 25380	SCREW, TAPPING 5x16	1	Y		20120423	KMYSZ2BLSDC000001	
		16	S5701 - 06012 - 00	BOLT, FLANGE 6x12	2	Y		20120423	KMYSZ2BLSDC000001	

## F - 18

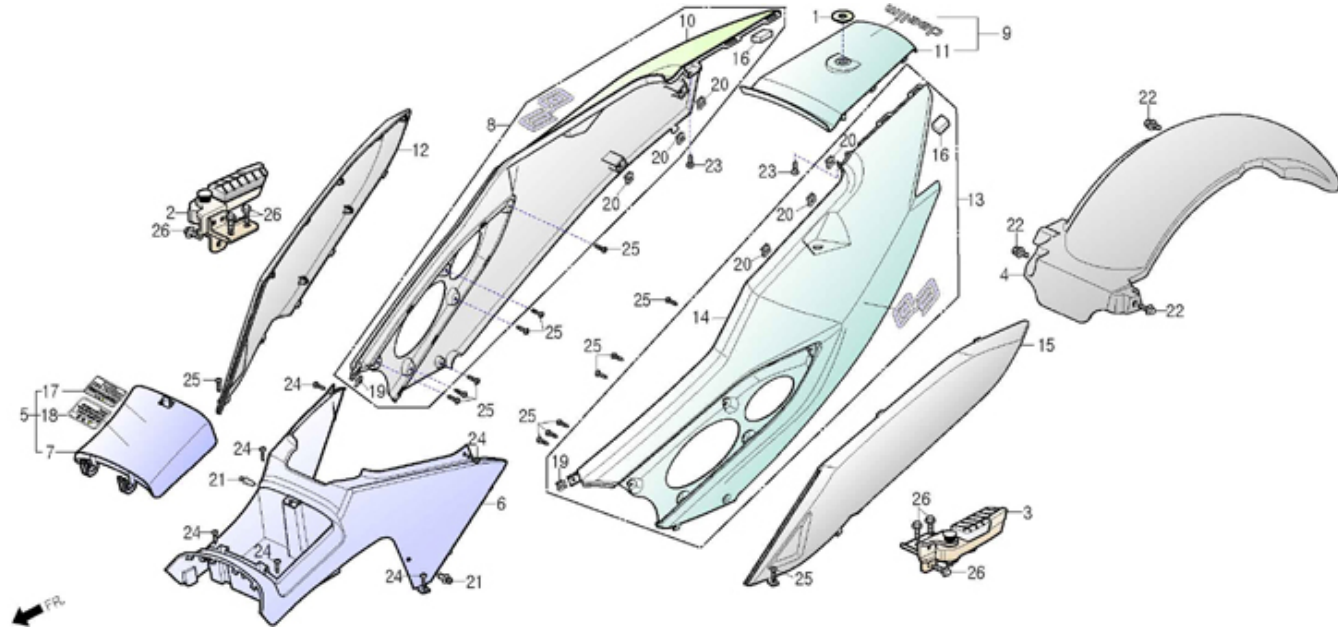
## CENTER COVER / BODY COVER



Service item	FRT	Ref. No.	Part No.	Description	QTY	A/S	Exch	Start Date	Start FRM.No	End FRM.No
MUDGUARD, RR.WHEEL COVER, CENTER	0.1	1	17526 - SAB - 0000	COLLAR, RR.CARRIER	1	Y		20120423	KMYSZ2BLSDC000001	
COVER, RH.BODY SIDE	0.2	2	50601 - SAB - 0010	BAR ASS'Y, RH.PILLION STEP	1	Y		20120423	KMYSZ2BLSDC000001	
COVER ASS'Y, RH.BODY	0.3	3	50602 - SAB - 0010	BAR ASS'Y, LH.PILLION STEP	1	Y		20120423	KMYSZ2BLSDC000001	
COVER, LH.BODY SIDE	0.3	4	61120 - SZ2 - 0000	MUDGUARD, RR.WHEEL	1	Y		20120423	KMYSZ2BLSDC000001	
COVER ASS'Y, LH.BODY	0.3	5	8015B - SZ2 - MA00	LID ASS'Y, CENTER BOX(ENGLISH)	1	Y		20120423	KMYSZ2BLSDC000001	
BAR ASS'Y, RH.PILLION STEP	0.3		8015B - SZ2 - RB00	LID ASS'Y, CENTER BOX(GERMANY)	1	Y		20120423	KMYSZ2BLSDC000001	
BAR ASS'Y, LH.PILLION STEP	0.3		8015B - SZ2 - RC00	LID ASS'Y, CENTER BOX(ITALY)	1	Y		20120423	KMYSZ2BLSDC000001	
			8015B - SZ2 - RE00	LID ASS'Y, CENTER BOX(FRANCE)	1	Y		20120423	KMYSZ2BLSDC000001	
			8015B - SZ2 - RJ00	LID ASS'Y, CENTER BOX(SPAIN)	1	Y		20120423	KMYSZ2BLSDC000001	
		6	80151 - SZ2 - 0000	BOX, CENTER	1	Y		20120423	KMYSZ2BLSDC000001	
		7	80152 - SZ2 - 0000	LID, CENTER BOX	1	N		20120423	KMYSZ2BLSDC000001	
		8	8350A - SZ2 - RB00 - GB	COVER ASS'Y, RH.BODY(G/BBLUE)	1	Y		20120423	KMYSZ2BLSDC000001	
			8350A - SZ2 - RB00 - NG	COVER ASS'Y, RH.BODY(G/BBLUE)	1	Y		20120901	KMYSZ2BLSDC000343	
			8350A - SZ2 - RB00 - TS	COVER ASS'Y, RH.BODY(T/SILVER)	1	Y		20120423	KMYSZ2BLSDC000001	
			8350A - SZ2 - RB00 - WL	COVER ASS'Y, RH.BODY(W/GOLD)	1	Y		20120423	KMYSZ2BLSDC000001	
			8350A - SZ2 - RZ00 - GB	COVER ASS'Y, RH.BODY(G/BBLUE)	1	Y		20120423	KMYSZ2BLSDC000001	
			8350A - SZ2 - RZ00 - NG	COVER ASS'Y, RH.BODY(G/BBLUE)	1	Y		20120901	KMYSZ2BLSDC000343	
			8350A - SZ2 - RZ00 - TS	COVER ASS'Y, RH.BODY(T/SILVER)	1	Y		20120423	KMYSZ2BLSDC000001	
			8350A - SZ2 - RZ00 - WL	COVER ASS'Y, RH.BODY(W/GOLD)	1	Y		20120423	KMYSZ2BLSDC000001	
		9	8350B - SAB - 0000 - GB	COVER ASS'Y, RR.UPPER(G/BBLUE)	1	Y		20120423	KMYSZ2BLSDC000001	
			8350B - SAB - 0000 - NG	COVER ASS'Y, RR.UPPER(B/GRAY)	1	Y		20120901	KMYSZ2BLSDC000343	
			8350B - SAB - 0000 - TS	COVER ASS'Y, RR.UPPER(T/SILVER)	1	Y		20120423	KMYSZ2BLSDC000001	
			8350B - SAB - 0000 - WL	COVER ASS'Y, RR.UPPER(W/GOLD)	1	Y		20120423	KMYSZ2BLSDC000001	

# F - 18

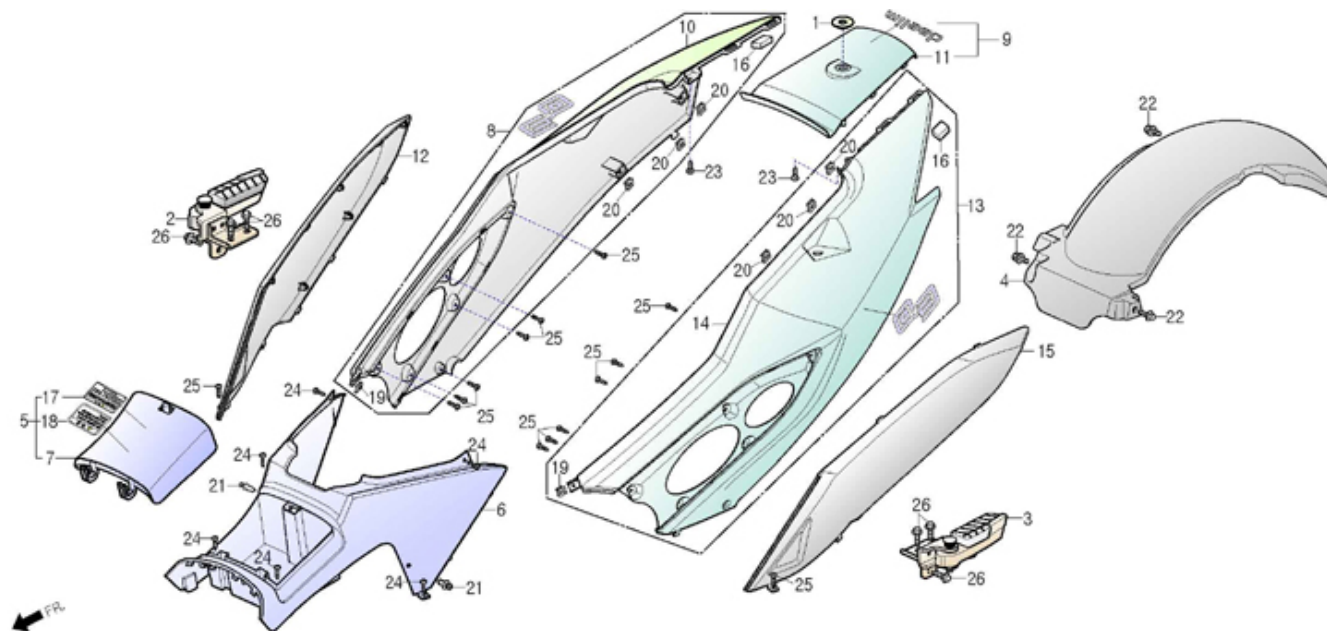
## CENTER COVER / BODY COVER



Service item	FRT	Ref. No.	Part No.	Description	QTY	A/S	Exch	Start Date	Start FRM.No	End FRM.No
		10	83500 - SZ2 - 0000 - GB COVER, RH.BODY(G/BLUE)		1	N		20120423	KMYSZ2BLSDC000001	
			83500 - SZ2 - 0000 - NG COVER, RH.BODY(G/BLUE)		1	N		20120901	KMYSZ2BLSDC000343	
			83500 - SZ2 - 0000 - TS COVER,RH.BODY(T/SILVER)		1	N		20120423	KMYSZ2BLSDC000001	
			83500 - SZ2 - 0000 - WL COVER, RH.BODY(W/GOLD)		1	N		20120423	KMYSZ2BLSDC000001	
		11	83502 - SAB - 0000 - GB COVER, RR.UPPER(G/BLUE)		1	N		20120423	KMYSZ2BLSDC000001	
			83502 - SAB - 0000 - NG COVER, RR.UPPER(B/GRAY)		1	N		20120901	KMYSZ2BLSDC000343	
			83502 - SAB - 0000 - WLCOVER, RR.UPPER(W/GOLD)		1	N		20120423	KMYSZ2BLSDC000001	
		12	83506 - SAB - RB00 COVER, RH.BODY SIDE (Painting)		1	Y		20120423	KMYSZ2BLSDC000001	
		13	8360A - SZ2 - RB00 - GB COVER ASS'Y, LH.BODY(G/BLUE)		1	Y		20120423	KMYSZ2BLSDC000001	
			8360A - SZ2 - RB00 - NGCOVER ASS'Y, LH.BODY(G/BLUE)		1	Y		20120901	KMYSZ2BLSDC000343	
			8360A - SZ2 - RB00 - TSCOVER ASS'Y, LH.BODY(T/SILVER)		1	Y		20120423	KMYSZ2BLSDC000001	
			8360A - SZ2 - RB00 - WL COVER ASS'Y, LH.BODY(W/GOLD)		1	Y		20120423	KMYSZ2BLSDC000001	
			8360A - SZ2 - RZ00 - GB COVER ASS'Y, LH.BODY(G/BLUE)		1	Y		20120423	KMYSZ2BLSDC000001	
			8360A - SZ2 - RZ00 - NGCOVER ASS'Y, LH.BODY(G/BLUE)		1	Y		20120901	KMYSZ2BLSDC000343	
			8360A - SZ2 - RZ00 - TSCOVER ASS'Y, LH.BODY(T/SILVER)		1	Y		20120423	KMYSZ2BLSDC000001	
			8360A - SZ2 - RZ00 - WL COVER ASS'Y, LH.BODY(W/GOLD)		1	Y		20120423	KMYSZ2BLSDC000001	
		14	83600 - SZ2 - 0000 - GB COVER, LH.BODY(G/BLUE)		2	Y		20120423	KMYSZ2BLSDC000001	
			83600 - SZ2 - 0000 - NG COVER, LH.BODY(G/BLUE)		2	Y		20120901	KMYSZ2BLSDC000343	
			83600 - SZ2 - 0000 - TS COVER, LH.BODY(T/SILVER)		2	Y		20120423	KMYSZ2BLSDC000001	
			83600 - SZ2 - 0000 - WL COVER, LH.BODY(W/GOLD)		2	Y		20120423	KMYSZ2BLSDC000001	
		15	83606 - SAB - RB00 COVER, LH.BODY SIDE (Painting)		1	Y		20120423	KMYSZ2BLSDC000001	
		16	87151 - SAB - 0000 SPONGE RUBBER, BODY COVER		2	N		20120423	KMYSZ2BLSDC000001	

## F - 18

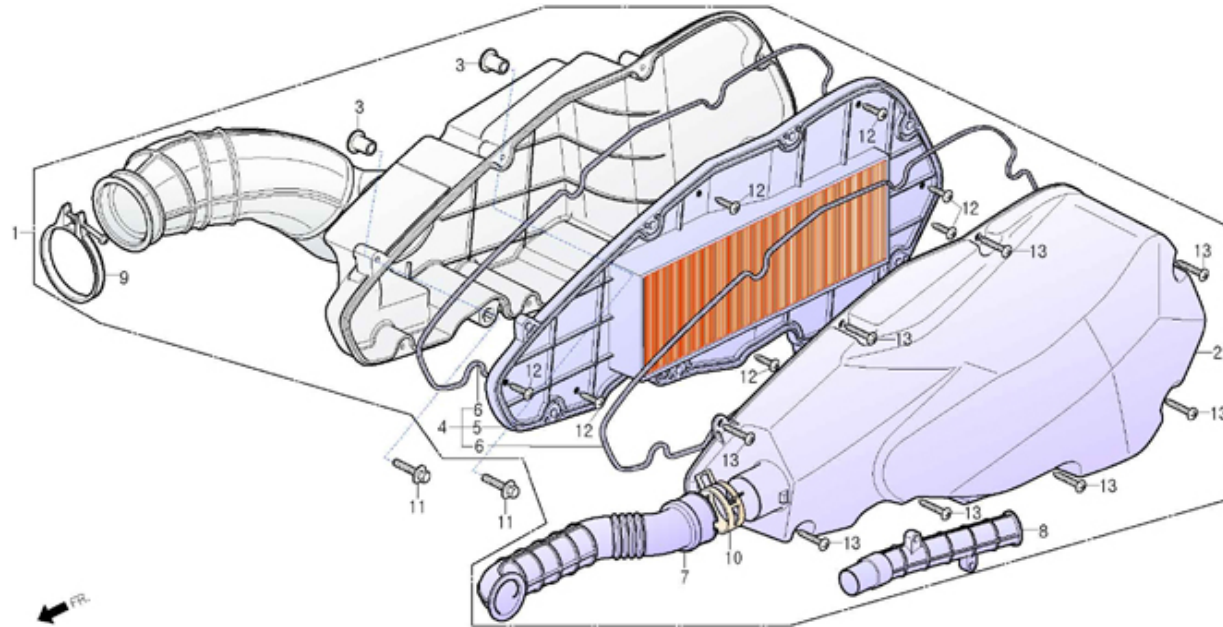
## CENTER COVER / BODY COVER



Service item	FRT	Ref. No.	Part No.	Description	QTY	A/S	Exch	Start Date	Start FRM.No	End FRM.No
		17	87505 - SZ2 - MA00	LABEL, TIRE(ENGLISH)	1	N		20120423	KMYSZ2BLSDC000001	
			87505 - SZ2 - RB00	LABEL, TIRE(GERMANY)	1	N		20120423	KMYSZ2BLSDC000001	
			87505 - SZ2 - RC00	LABEL, TIRE(ITALY)	1	N		20120423	KMYSZ2BLSDC000001	
			87505 - SZ2 - RE00	LABEL, TIRE(FRANCE)	1	N		20120423	KMYSZ2BLSDC000001	
			87505 - SZ2 - RJ00	LABEL, TIRE(SPAIN)	1	N		20120423	KMYSZ2BLSDC000001	
		18	87560 - SA1 - MA00	MARK, DRIVE CAUTION(ENGLISH)	1	N		20120423	KMYSZ2BLSDC000001	
			87560 - SA1 - RB00	MARK, DRIVE CAUTION(GERMANY)	1	N		20120423	KMYSZ2BLSDC000001	
			87560 - SA1 - RC00	MARK, DRIVE CAUTION(ITALY)	1	N		20120423	KMYSZ2BLSDC000001	
			87560 - SA1 - RE00	MARK, DRIVE CAUTION(FRANCE)	1	N		20120423	KMYSZ2BLSDC000001	
			87560 - SA1 - RJ00	MARK, DRIVE CAUTION(SPAIN)	1	N		20120423	KMYSZ2BLSDC000001	
		19	90302 - SA4 - 0030	NUT, SPRING 4mm	2	Y		20120423	KMYSZ2BLSDC000001	
		20	90677 - SE5 - 0030	NUT, CLIP 5mm	6	Y		20120423	KMYSZ2BLSDC000001	
		21	90683 - SE5 - 0030	CLIP, BODY COVER	2	Y		20120423	KMYSZ2BLSDC000001	
		22	S3404 - 06020 - 07	BOLT, WASHER 6x20	3	Y		20120423	KMYSZ2BLSDC000001	
		23	S3903 - 25280	SCREW, TAPPING 5x12	2	Y		20120423	KMYSZ2BLSDC000001	
		24	S3903 - 34A80	SCREW, TAPPING 4x14	6	Y		20120423	KMYSZ2BLSDC000001	
		25	S3903 - 34380	SCREW, TAPPING 4x12	14	Y		20120423	KMYSZ2BLSDC000001	
		26	S5701 - 06012 - 00	BOLT, FLANGE 6x12	6	Y		20120423	KMYSZ2BLSDC000001	

## F - 19

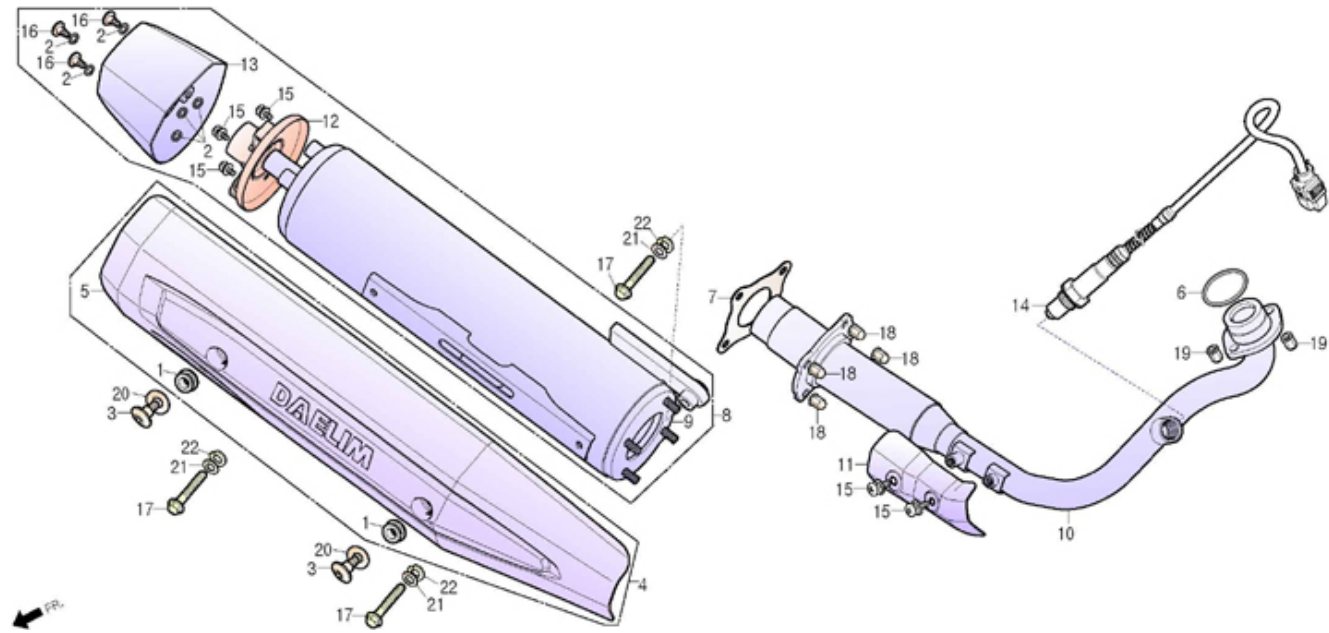
## AIR CLEANER



Service item	FRT	Ref. No.	Part No.	Description	QTY	A/S	Exch	Start Date	Start FRM.No	End FRM.No
CLEANER ASS'Y, AIR	0.4	1	17200 - SZ2 - 0000	CLEANER ASS'Y, AIR	1	Y		20120423	KMYSZ2BLSDC000001	
ELEMENT COMP., AIR CLEANER	0.2	2	17207 - SZ2 - 0000	COVER, AIR CLEANER CASE	1	Y		20120423	KMYSZ2BLSDC000001	
COVER, AIR CLEANER CASE	0.1	3	17208 - SE5 - 0100	COLLAR, AIR CLEANER SETING	2	N		20120423	KMYSZ2BLSDC000001	
		4	1721B - SAB - 0010	ELEMENT ASS'Y, AIR CLEANER	1	Y		20120423	KMYSZ2BLSDC000001	
		5	17211 - SAB - 0000	ELEMENT COMP., AIR CLEANER	1	N		20120423	KMYSZ2BLSDC000001	
		6	17212 - SZ2 - 0000	SEAL, AIR CLEANER	2	Y		20120423	KMYSZ2BLSDC000001	
		7	17241 - SZ2 - 0000	DUCT A, AIR CLEANER INLET	1	N		20120423	KMYSZ2BLSDC000001	
		8	17242 - SZ2 - 0000	DUCT B, AIR CLEANER INLET	1	Y		20120423	KMYSZ2BLSDC000001	
		9	17256 - BA1 - R300	BAND 50, AIR CLEANER CONNECTING TUBE	1	N		20120423	KMYSZ2BLSDC000001	
		10	17612 - SZ1 - 0000	CLIP, TUBE	1	N		20120423	KMYSZ2BLSDC000001	
		11	S3404 - 06032 - 00	BOLT, WASHER 6x32	2	Y		20120423	KMYSZ2BLSDC000001	
		12	S3903 - 45480	SCREW, TAPPING 5x20	7	N		20120423	KMYSZ2BLSDC000001	
		13	S3903 - 45882	SCREW, TAPPING 5x30	8	Y		20120423	KMYSZ2BLSDC000001	

## F - 20

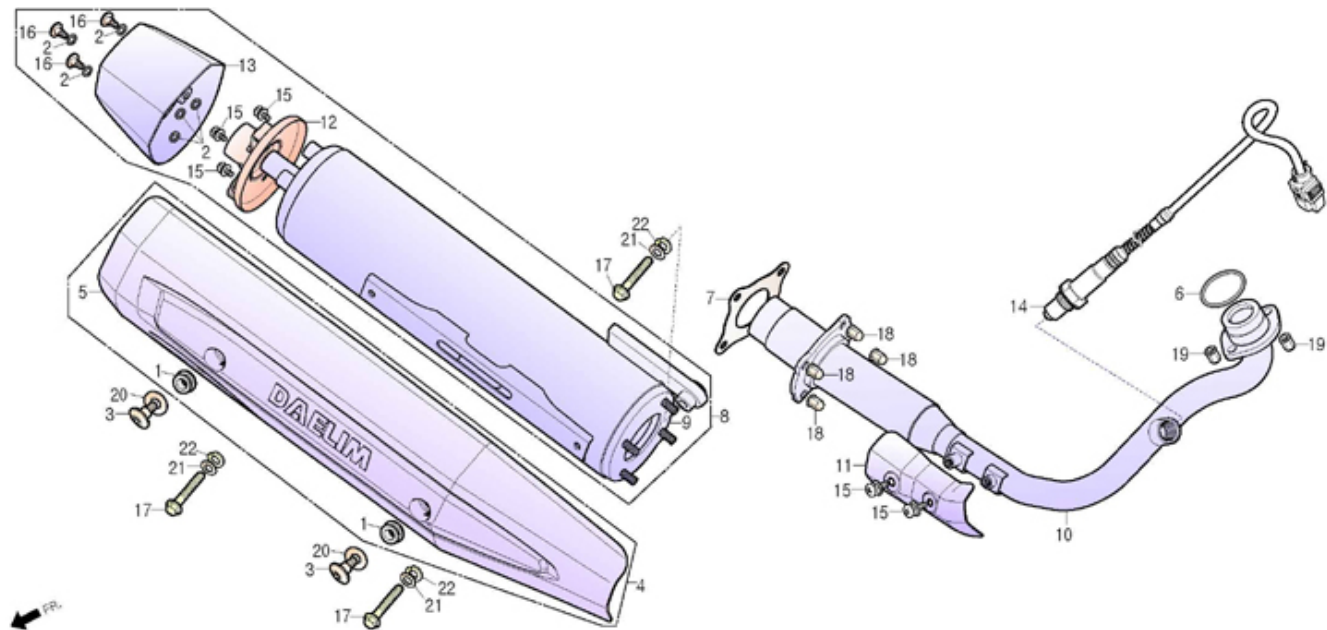
## EXHAUST MUFFLER



Service item	FRT	Ref. No.	Part No.	Description	QTY	A/S	Exch	Start Date	Start FRM.No	End FRM.No
MUFFLER COMP.	0.2	1	18202 - SZ2 - 0000	RUBBER, MUFFLER	2	Y		20120423	KMYSZ2BLSDC000001	
PROTECTOR, MUFFLER	0.1	2	18204 - SZ2 - 0000	WASHER, MUFFLER	6	Y		20120423	KMYSZ2BLSDC000001	
PIPE COMP., EX.	0.4	3	18206 - SZ2 - 0000	BOLT, MUFFLER. PROTECTOR	2	Y		20120423	KMYSZ2BLSDC000001	
GASKET, EX.PIPE	0.2	4	1824A - SZ2 - 0000	PROTECTOR ASS'Y, EX.MUFFLER	1	Y		20120423	KMYSZ2BLSDC000001	
SENSOR, OXYGEN	0.3	5	18240 - SZ2 - 0000	PROTECTOR, MUFFLER	1	Y		20120423	KMYSZ2BLSDC000001	
		6	18291 - BA6 - RB00	GASKET, EX.PIPE	1	Y		20120423	KMYSZ2BLSDC000001	
		7	18292 - SZ2 - 0000	GASKET, EX. PIPE FLANGE	1	Y		20120423	KMYSZ2BLSDC000001	
		8	1830A - SZ2 - 0000	MUFFLER ASS'Y	1	Y		20120423	KMYSZ2BLSDC000001	
		9	18310 - SZ2 - 0000	MUFFLER COMP.	1	N	Y	20120423	KMYSZ2BLSDC000001	KMYSZ2BLSDC000278
			18310 - SZ2 - 0010	MUFFLER COMP.	1	Y		20120620	KMYSZ2BLSDC000279	
		10	18320 - SZ2 - 0000	PIPE COMP., EX.	1	Y		20120423	KMYSZ2BLSDC000001	
		11	18325 - SZ2 - 0000	PROTECTOR, EX. PIPE	1	Y		20120423	KMYSZ2BLSDC000001	
		12	18340 - SZ2 - 0010	PLATE COMP, TAIL	1	Y		20120423	KMYSZ2BLSDC000001	
		13	18345 - SZ2 - 0000	CAP, MUFFLER END	1	Y		20120423	KMYSZ2BLSDC000001	
		14	18410 - BA1 - R300 - M1	SENSOR, OXYGEN	1	Y		20120423	KMYSZ2BLSDC000001	
		15	90001 - SAB - 0000	SCREW, TORUS 6x14(SUS)	5	Y		20120423	KMYSZ2BLSDC000001	
		16	90107 - SZ2 - 0010	BOLT, SPECIAL 6mm	3	N	Y	20120423	KMYSZ2BLSDC000001	KMYSZ2BLSDC000278
			90107 - SZ2 - 0020	BOLT, SPECIAL 6mm	3	Y		20120703	KMYSZ2BLSDC000279	
		17	90158 - SAB - RZ00	BOLT, SPECIAL FLANGE 8x45(H.tension)	3	Y		20120423	KMYSZ2BLSDC000001	
		18	90208 - BA7 - 0000	NUT, FLANGE CAP 8mm	4	Y		20120423	KMYSZ2BLSDC000001	
		19	90301 - SZ1 - 0000 - M1	NUT, SPECIAL 8mm	2	Y		20120423	KMYSZ2BLSDC000001	

# F - 20

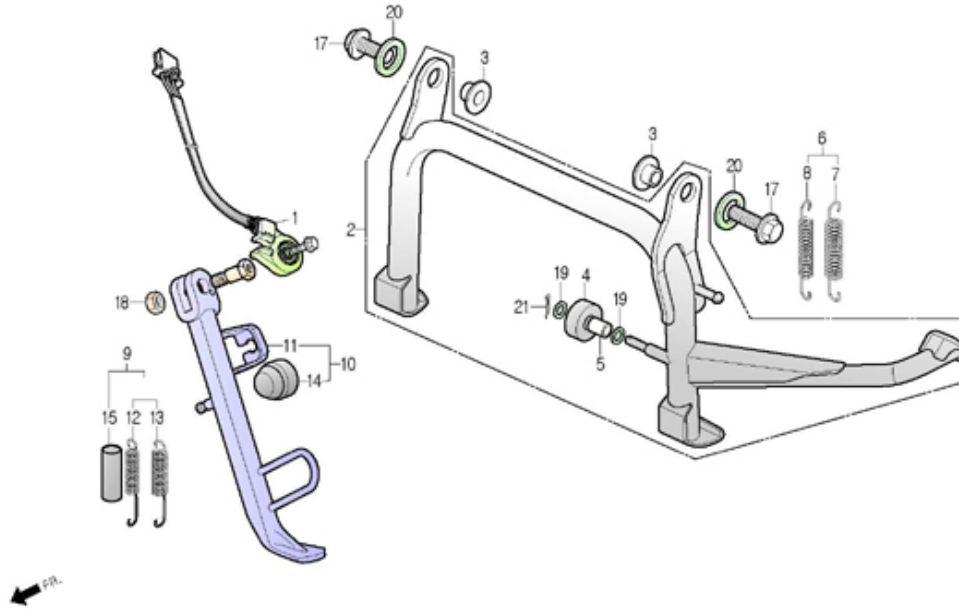
## EXHAUST MUFFLER



Service item	FRT	Ref. No.	Part No.	Description	QTY	A/S	Exch	Start Date	Start FRM.No	End FRM.No
		20	90474 - SZ2 - 0000	WASHER, 8mm	2	Y		20120423	KMYSZ2BLSDC000001	
		21	S4101 - 08800	WASHER, PLAIN, 8mm	3	Y		20120423	KMYSZ2BLSDC000001	
		22	S4111 - 08800	WASHER, SPRING 8mm	3	N		20120423	KMYSZ2BLSDC000001	

F - 21

STAND

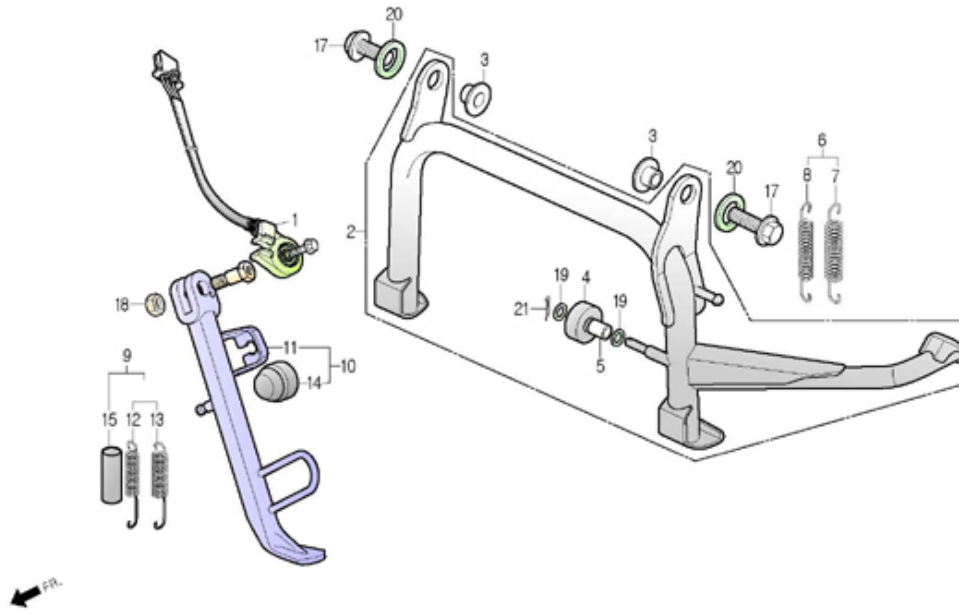


Service item	FRT	Ref. No.	Part No.	Description	QTY	A/S	Exch	Start Date	Start FRM.No	End FRM.No
STAND ASS'Y, MAIN	0.4	1	35700 - CB4 - 4000	SWITCH ASS'Y, SIDE STAND	1	Y		20120423	KMYSZ2BLSDC000001	
.SPRING SET, MAIN STAND	0.2	2	5050A - SZ2 - 0000	STAND ASS'Y, MAIN	1	N	Y	20120423	KMYSZ2BLSDC000001	KMYSZ2BLSDC000009
.STOPPER RUBBER, MAIN STAND			5050A - SZ2 - 0010	STAND ASS'Y, MAIN	1	Y		20120510	KMYSZ2BLSDC000010	
.STAND COMP., MAIN		3	50504 - SE5 - 6700	COLLAR, MAIN STAND	2	Y		20120423	KMYSZ2BLSDC000001	
BAR COMP., SIDE STAND		4	50505 - SE1 - 0000	STOPPER RUBBER, MAIN STAND	1	Y		20120423	KMYSZ2BLSDC000001	
.SPRING SET, SIDE STAND		5	50506 - SE1 - 0000	COLLOR, STOPPER RUBBER	1	N		20120423	KMYSZ2BLSDC000001	
		6	5052A - SE5 - 5000 - EU	SPRING SET, MAIN STAND	1	Y		20120423	KMYSZ2BLSDC000001	
		7	50520 - SE5 - 5000 - EU	SPRING, MAIN STAND OUTER	1	N		20120423	KMYSZ2BLSDC000001	
		8	50521 - SE5 - 5000 - EU	SPRING, MAIN STAND INNER	1	N		20120423	KMYSZ2BLSDC000001	
		9	5053A - SZ2 - 0000	SPRING SET, SIDE STAND	1	Y		20120423	KMYSZ2BLSDC000001	
		10	5053B - SZ2 - 0000	STAND ASS'Y, SIDE	1	N	Y	20120423	KMYSZ2BLSDC000001	KMYSZ2BLSDC000009
			5053B - SZ2 - RZ00	STAND ASS'Y, SIDE	1	Y		20120510	KMYSZ2BLSDC000010	
		11	50530 - SZ2 - 0000	BAR COMP., SIDE STAND	1	N	Y	20120423	KMYSZ2BLSDC000001	KMYSZ2BLSDC000009
			50530 - SZ2 - RZ00	BAR COMP., SIDE STAND	1	Y		20120510	KMYSZ2BLSDC000010	
		12	50532 - SE1 - RB00	SPRING, SIDE STAND INNER	1	N		20120423	KMYSZ2BLSDC000001	
		13	50533 - SE1 - RB00	SPRING, SIDE STAND OUTER	1	N		20120423	KMYSZ2BLSDC000001	
		14	50536 - SZ2 - 0000	RUBBER, STAND STOPPER	1	Y		20120423	KMYSZ2BLSDC000001	
		15	90092 - BA6 - 0000	BOLT, FLANGE 6x20	1	Y		20120423	KMYSZ2BLSDC000001	
		16	90109 - SZ2 - 0000	SCREW, SIDE STAND PIVOT	1	Y		20120423	KMYSZ2BLSDC000001	
		17	90116 - SAB - 0000	BOLT, FLANGE 10x25	2	Y		20120423	KMYSZ2BLSDC000001	
		18	S4001 - 10080 - 0S	NUT, HEX 10mm	1	Y		20120423	KMYSZ2BLSDC000001	



## F - 21

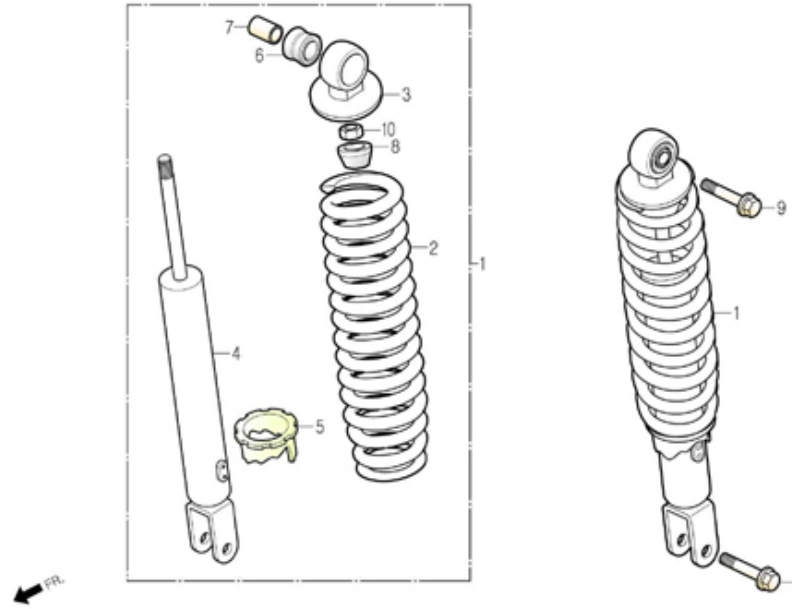
## STAND



Service item	FRT	Ref. No.	Part No.	Description	QTY	A/S	Exch	Start Date	Start FRM.No	End FRM.No
		19	S4101 - 06800	WASHER, PLAIN 6mm	2	N		20120423	KMYSZ2BLSDC000001	
		20	S4101 - 10800	WASHER, PLAIN 10mm	2	N	Y	20120423	KMYSZ2BLSDC000001	KMYSZ2BLSDC000662
			90426 - BZ1 - 0000	WASHER,MAGNETO FIXING	1	Y		20121210	KMYSZ2BLSDC000663	
		21	S4201 - 16150	PIN, SPLIT 1.4x15	1	N	Y	20120423	KMYSZ2BLSDC000001	KMYSZ2BLSDC000408
			S4201 - 20120	PIN, SPLIT 1.8x12	1	N		20121001	KMYSZ2BLSDC000409	

## F - 22

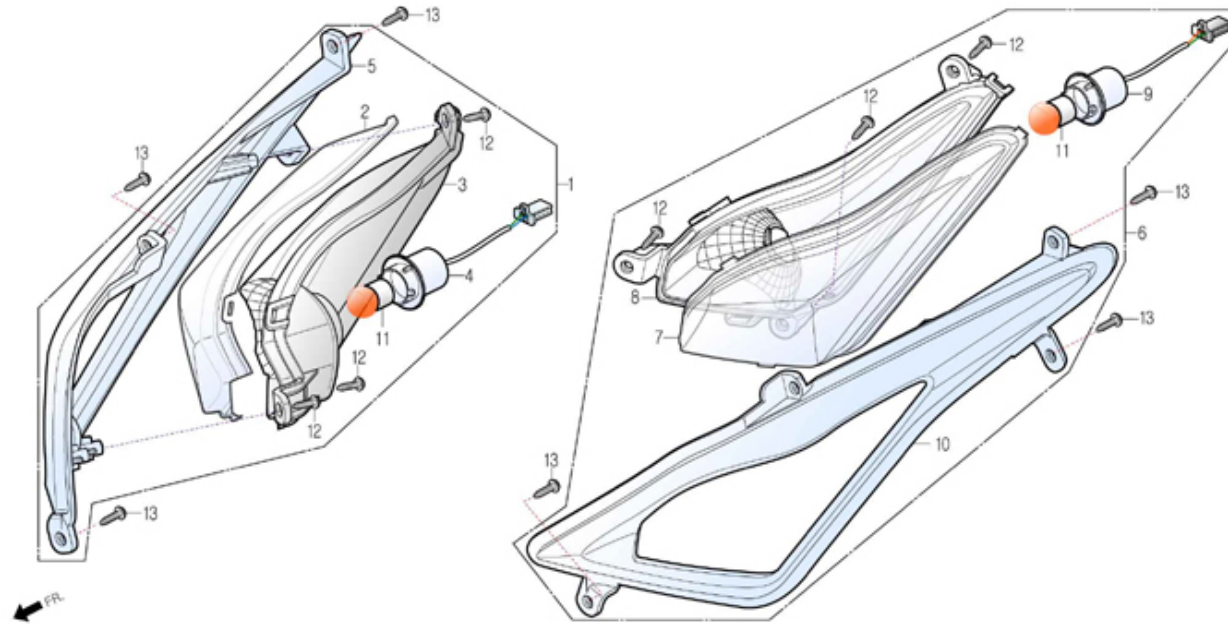
## REAR CUSHION



Service item	FRT	Ref. No.	Part No.	Description	QTY	A/S	Exch	Start Date	Start FRM.No	End FRM.No
CUSHION ASS'Y, RR.	0.4	1	52400 - SZ2 - 0000	CUSHION ASS'Y, RR. (Silver)	2	Y	N	20120423	KMYSZ2BLSDC000001	KMYSZ2BLSDC000009
DAMPER COMP., RR.	0.6		52400 - SZ2 - RZ00	CUSHION ASS'Y, RR. (Black)	2	Y		20120524	KMYSZ2BLSDC000010	
		2	52401 - SZ1 - 0010	SPRING, RR.CUSHION (Silver)	2	N	N	20120423	KMYSZ2BLSDC000001	KMYSZ2BLSDC000009
			52401 - SZ2 - RZ00	SPRING, RR.CUSHION (Black)	2	N		20120524	KMYSZ2BLSDC000010	
		3	52403 - BA7 - 9000	METAL, UPPER	2	N		20120423	KMYSZ2BLSDC000001	
		4	52410 - SZ2 - 0000	DAMPER COMP., RR.	2	N		20120423	KMYSZ2BLSDC000001	
		5	52422 - BA6 - 0030	ADJUSTER, SPRING	2	N		20120423	KMYSZ2BLSDC000001	
		6	52485 - SE5 - 9010 - M1	BUSH, RR.CUSHION RUBBER	2	N		20120423	KMYSZ2BLSDC000001	
		7	52486 - SE5 - 0030	COLLAR, RUBBER BUSH	2	N		20120423	KMYSZ2BLSDC000001	
		8	52517 - BA6 - 0030	RUBBER, STOPPER	2	N		20120423	KMYSZ2BLSDC000001	
		9	90108 - CB3 - 0000	BOLT, RR.CUSHION UNDER	4	Y		20120423	KMYSZ2BLSDC000001	
		10	S4002 - 10000 - 0S	NUT, HEX 10mm	2	N		20120423	KMYSZ2BLSDC000001	

# F - 23

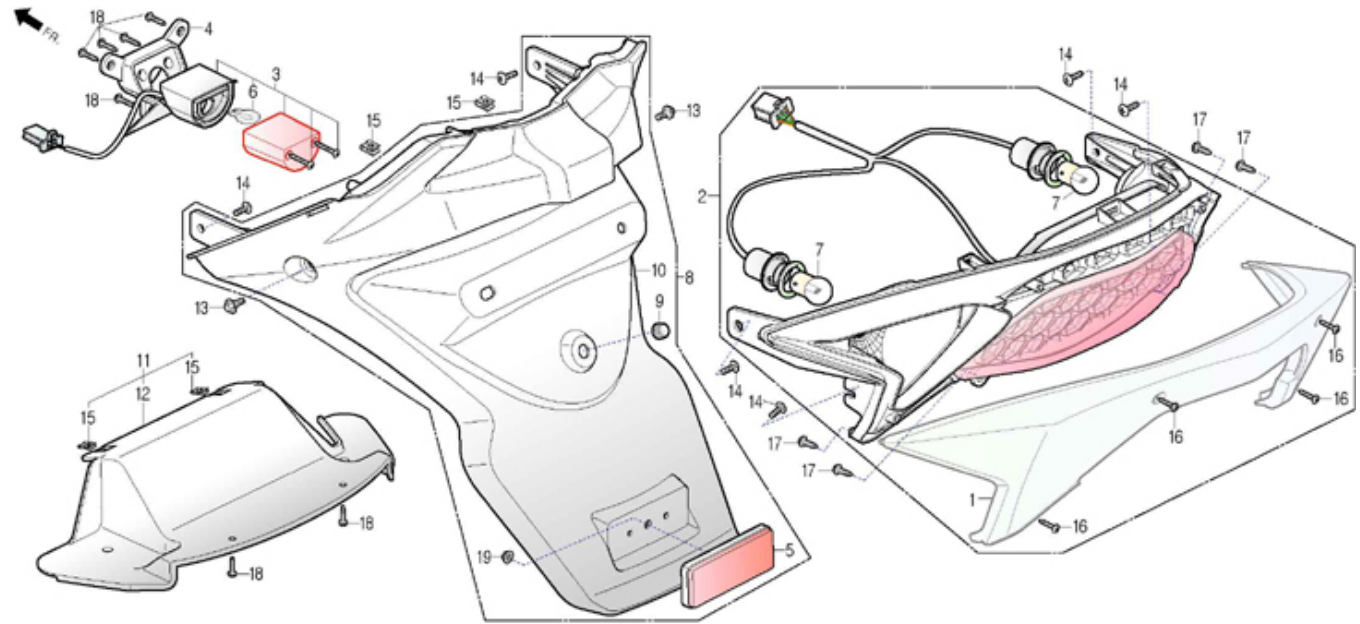
## FRONT WINKER



Service item	FRT	Ref. No.	Part No.	Description	QTY	A/S	Exch	Start Date	Start FRM.No	End FRM.No
WINKER ASS'Y, FR.	0.4	1	33400 - SAB - 0000	WINKER ASS'Y, RH.FR.	1	Y		20120423	KMYSZ2BLSDC000001	
LENS, FR.WINKER(Each)	0.4	2	33401 - SAB - 0000	LENS, RH.FR.WINKER	1	Y		20120423	KMYSZ2BLSDC000001	
SOCKET COMP., FR.WINKER	0.1	3	33402 - SAB - 0000	REFLECTOR, RH.FR.WINKER	1	N		20120423	KMYSZ2BLSDC000001	
BULB, WINKER	0.1	4	33410 - SAB - 0000	SOCKET COMP., RH.FR.WINKER	1	N		20120423	KMYSZ2BLSDC000001	
		5	33414 - SAB - 0000	COVER, RH.FR.WINKER	1	Y		20120423	KMYSZ2BLSDC000001	
		6	33450 - SAB - 0000	WINKER ASS'Y, LH.FR.	1	Y		20120423	KMYSZ2BLSDC000001	
		7	33451 - SAB - 0000	LENS, LH.FR.WINKER	1	Y		20120423	KMYSZ2BLSDC000001	
		8	33452 - SAB - 0000	REFLECTOR, LH.FR.WINKER	1	N		20120423	KMYSZ2BLSDC000001	
		9	33460 - SAB - 0000	SOCKET COMP., LH.FR.WINKER	1	N		20120423	KMYSZ2BLSDC000001	
		10	33464 - SAB - 0000	COVER, LH.FR.WINKER	1	Y		20120423	KMYSZ2BLSDC000001	
		11	34905 - SE4 - 0000	BULB, WINKER(RY 10W)	2	Y		20120423	KMYSZ2BLSDC000001	
		12	S3903 - 24320	SCREW, TAPPING 4x12	6	N		20120423	KMYSZ2BLSDC000001	
		13	S3903 - 34380	SCREW, TAPPING 4x12	6	Y		20120423	KMYSZ2BLSDC000001	

## F - 24

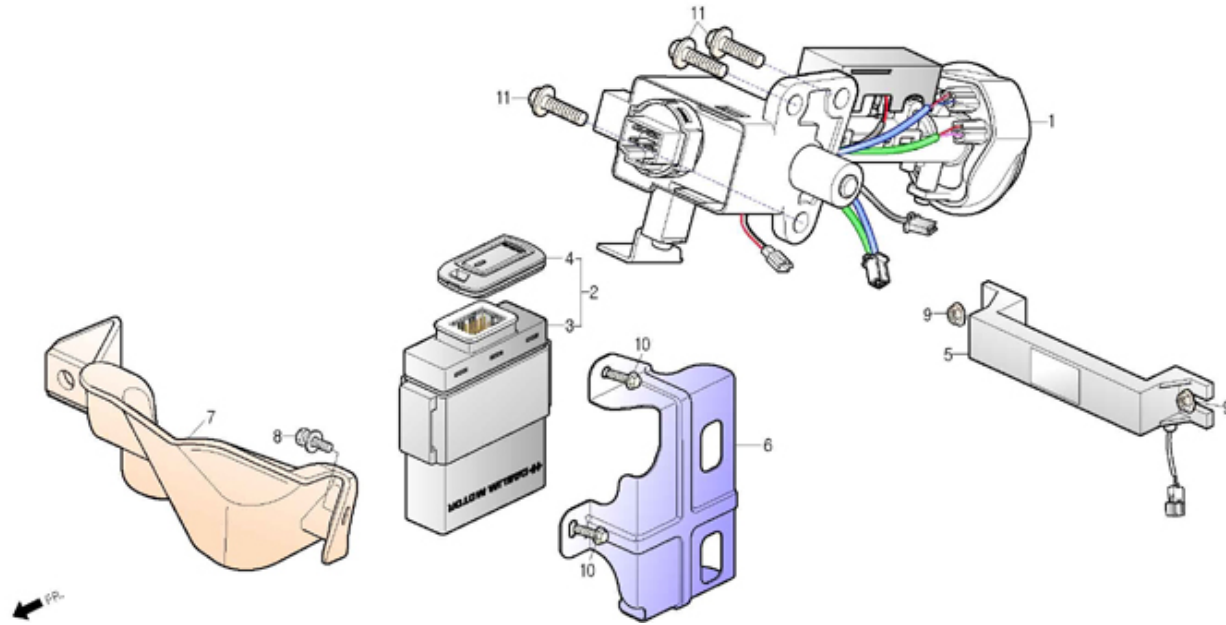
## REAR COMBINATION LIGHT / REAR FENDER



Service item	FRT	Ref. No.	Part No.	Description	QTY	A/S	Exch	Start Date	Start FRM.No	End FRM.No
LENS, RR.WINKER	0.1	1	33602 - SAB - RZ00	LENS, RR.WINKER	1	Y		20120423	KMYSZ2BLSDC000001	
LIGHT ASS'Y, RR.COMBI.	0.5	2	33700 - SAB - RZ00	LIGHT ASS'Y, RR.COMBI.	1	Y		20120423	KMYSZ2BLSDC000001	
BULB,WINKER	0.1	3	33710 - SAB - 0000 - M1	LICENSE LAMP ASS'Y	1	Y		20120423	KMYSZ2BLSDC000001	
BULB, MARKER LIGHT	0.3	4	33714 - SAB - 0000	COVER, LICENSE LAMP	1	Y		20120423	KMYSZ2BLSDC000001	
FENDER ASS'Y, RR.	0.5	5	33741 - SE5 - RB00 - M1	REFLECTOR, REFLEX	1	Y		20120423	KMYSZ2BLSDC000001	
		6	34902 - BA7 - RB00	BULB, MARKER LIGHT (12V 5W)	1	Y		20120423	KMYSZ2BLSDC000001	
		7	34905 - SA2 - RB00	BULB, WINKER (RY12V 10W)	2	Y		20120423	KMYSZ2BLSDC000001	
		8	8010A - SAB - 0000	FENDER ASS'Y, RR.	1	Y		20120423	KMYSZ2BLSDC000001	
		9	80101 - BA1 - 0000	RUBBER, LICENSE PLATE	1	Y		20120423	KMYSZ2BLSDC000001	
		10	80105 - SAB - 0000	FENDER, RR.	1	N		20120423	KMYSZ2BLSDC000001	
		11	8011A - SAB - 0000	MUDGUARD ASS'Y, RR	1	Y		20120423	KMYSZ2BLSDC000001	
		12	80110 - SAB - 0000	MUDGUARD, RR.	1	N		20120423	KMYSZ2BLSDC000001	
		13	90111 - SE5 - 0000	BOLT, FLANGE 6mm	2	Y		20120423	KMYSZ2BLSDC000001	
		14	90192 - SE3 - 0000	SCREW, SPECIAL 5x14	6	Y		20120423	KMYSZ2BLSDC000001	
		15	90302 - SA4 - 0030	NUT, SPRING 4mm	4	Y		20120423	KMYSZ2BLSDC000001	
		16	S3901 - 24480	SCREW, TAPPING 4x16	4	N		20120423	KMYSZ2BLSDC000001	
		17	S3903 - 25380	SCREW, TAPPING 5x16	4	Y		20120423	KMYSZ2BLSDC000001	
		18	S3903 - 34480	SCREW, TAPPING 4x16	7	Y		20120423	KMYSZ2BLSDC000001	
		19	S4050 - 06080	NUT, FLANGE 6mm	1	Y		20120423	KMYSZ2BLSDC000001	

## F - 25

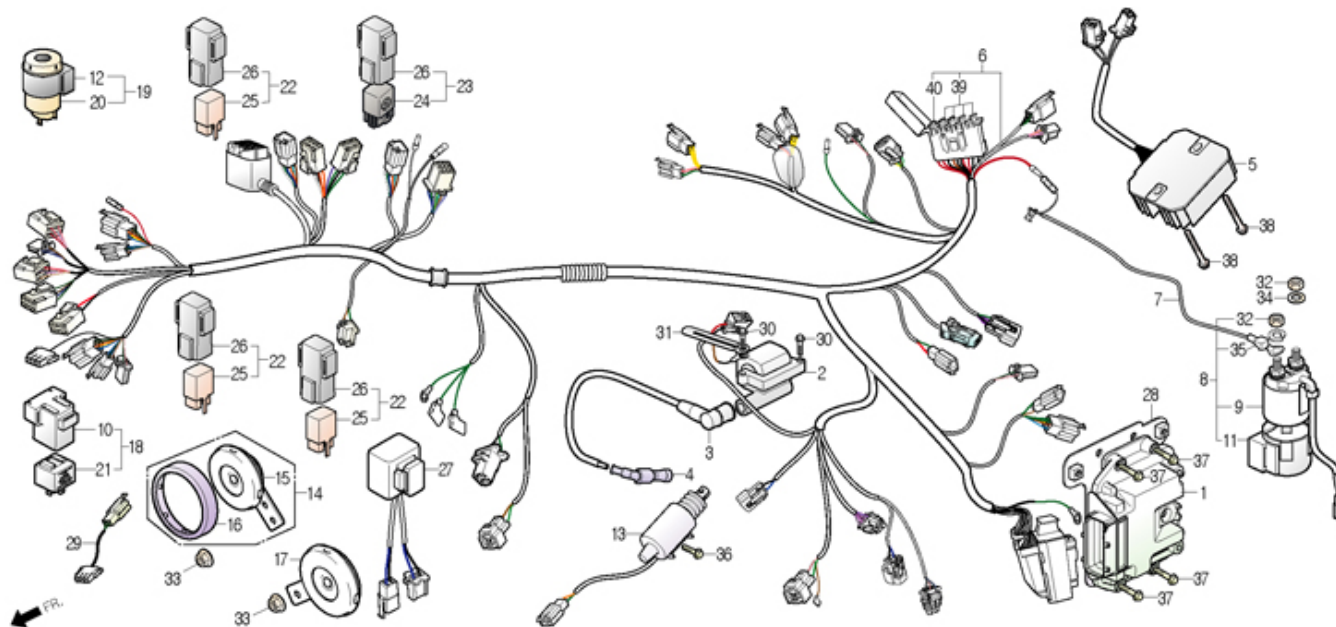
## COMBI.SWITCH / SMART KEY



Service item	FRT	Ref. No.	Part No.	Description	QTY	A/S	Exch	Start Date	Start FRM.No	End FRM.No
RECEIVER SET, COMBI & LOCK	0.3	1	35100 - SAB - 0010 - M1	SWITCH ASS'Y, COMBI. & LOCK(AUTO)	1	Y		20120423	KMYSZ2BLSDC000001	
LF ANTENNA ASS'Y, SMART KEY	0.2	2	35600 - SAB - 0010	KEY SET, SMART	1	Y		20120423	KMYSZ2BLSDC000001	
KEY	0.5	3	35610 - SAB - 0000	RECEIVER SET, COMBI. & LOCK(AUTO)	1	N		20120423	KMYSZ2BLSDC000001	
SWITCH ASS'Y, COMBI.& LOCK		4	35620 - SAB - 0000	KEY, COMBI & LOCK(AUTO)	2	N		20120423	KMYSZ2BLSDC000001	
		5	35630 - CB4 - 4000	LF ANTENNA ASS'Y, SMART KEY	1	Y		20120423	KMYSZ2BLSDC000001	
		6	50181 - SAB - RZ00	PROTECTOR, RECEIVER	1	Y		20120423	KMYSZ2BLSDC000001	
		7	81165 - SAB - RZ00	PROTECTOR, KEY BODY	1	Y		20120423	KMYSZ2BLSDC000001	
		8	S3404 - 06016 - 00	BOLT, WASHER 6x16	1	Y		20120423	KMYSZ2BLSDC000001	
		9	S4050 - 06080	NUT, FLANGE 6mm	2	Y		20120423	KMYSZ2BLSDC000001	
		10	S5701 - 06012 - 00	BOLT, FLANGE 6x12	2	Y		20120423	KMYSZ2BLSDC000001	
		11	S6001 - 06020 - 00	BOLT, FLANGE, SH.6x20	3	N	Y	20120423	KMYSZ2BLSDC000001	KMYSZ2BLSDC000976
			S6001 - 06018 - 00	BOLT, FLANGE, SH.6x18	3	Y		20130412	KMYSZ2BLSDC000977	

# F - 26

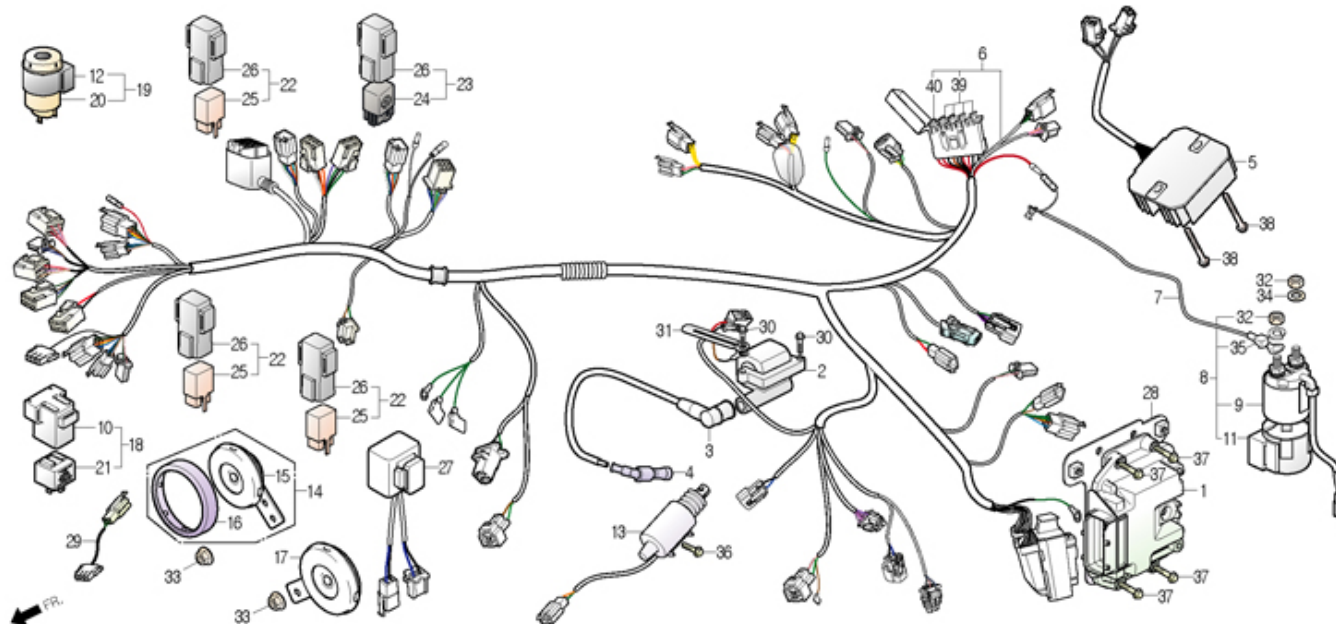
## WIRE HARNESS / IGNITION COIL



Service item	FRT	Ref. No.	Part No.	Description	QTY	A/S	Exch	Start Date	Start FRM.No	End FRM.No
UNIT, IGNITION COIL	0.3	1	30100 - SZ2 - RZ00	UNIT, ENGINE CONTROL	1	Y		20120423	KMYSZ2BLSDC000001	
RECTIFIER ASS'Y, REGULATOR	0.3	2	30610 - SAB - 0000 - M1	UNIT, IGNITION COIL	1	Y		20120423	KMYSZ2BLSDC000001	
HARNESS, WIRE	1.6	3	30611 - SAB - 0020 - M1	HIGH TENSION CORD COMP.	1	Y		20120423	KMYSZ2BLSDC000001	
SWITCH SET, START	0.3	4	30700 - SZ2 - 0000	CAP ASS'Y, NOISE SUPPRESSOR	1	Y		20120423	KMYSZ2BLSDC000001	
MAGNATIC	0.2	5	31600 - SAB - 0000 - M1	RECTIFIER ASS'Y, REGULATOR	1	Y		20120423	KMYSZ2BLSDC000001	
CABLE, START MAGNATIC	0.3									
BATTERY	0.2	6	32100 - SZ2 - RZ00	HARNESS, WIRE	1	Y		20120423	KMYSZ2BLSDC000001	
HORN COMP.	0.3	7	32401 - SAB - 0000	CABLE, START MAGNATIC BATTERY	1	Y		20120423	KMYSZ2BLSDC000001	
SOLENOID, SEAT OPEN	0.3	8	3585A - SAB - 0000	SWITCH SET, START MAGNATIC	1	Y		20120423	KMYSZ2BLSDC000001	
UNIT, ENGINE CONTROL	0.3	9	35850 - BA1 - R300	SWITCH ASS'Y, START MAGNATIC	1	Y		20120423	KMYSZ2BLSDC000001	
RELAY ASS'Y, AP.WINKER	0.3	10	35856 - BA8 - 0000	RUBBER, WINKER RELAY SHOCK	1	N		20120423	KMYSZ2BLSDC000001	
RELAY ASS'Y, LIGHT	0.5									
SWITCH ASS'Y, START		11	35856 - SA1 - 0000	SHOCK RUBBER, MAGNETIC	1	N		20120423	KMYSZ2BLSDC000001	
MAGNATIC		12	35856 - SE4 - 0000	SHOCK RUBBER, WINKER RELAY	1	N		20120423	KMYSZ2BLSDC000001	
FILTER ASS'Y, MOTOR EMI.		13	35910 - SAB - 0000 - M1	SOLENOID, SEAT OPEN	1	Y		20120423	KMYSZ2BLSDC000001	
		14	3811A - BA1 - 0000	HORN ASS'Y, HIGH	1	Y		20120423	KMYSZ2BLSDC000001	
		15	38110 - BA1 - 0000	HORN COMP., HIGH	1	Y		20120423	KMYSZ2BLSDC000001	
		16	38111 - BA1 - 0000	RING, HORN	1	Y		20120423	KMYSZ2BLSDC000001	
		17	38120 - SZ2 - 0000	HORN COMP., LOW	1	Y		20120423	KMYSZ2BLSDC000001	
		18	3830A - BA8 - 0000 - M1	RELAY ASS'Y, AP.WINKER	1	Y		20120423	KMYSZ2BLSDC000001	
		19	3830A - SE4 - 0000	RELAY ASS'Y, AP WINKER	1	Y		20120423	KMYSZ2BLSDC000001	
		20	38301 - BA6 - 0300 - P	RELAY COMP., AP.WINKER	1	N		20120423	KMYSZ2BLSDC000001	

## F - 26

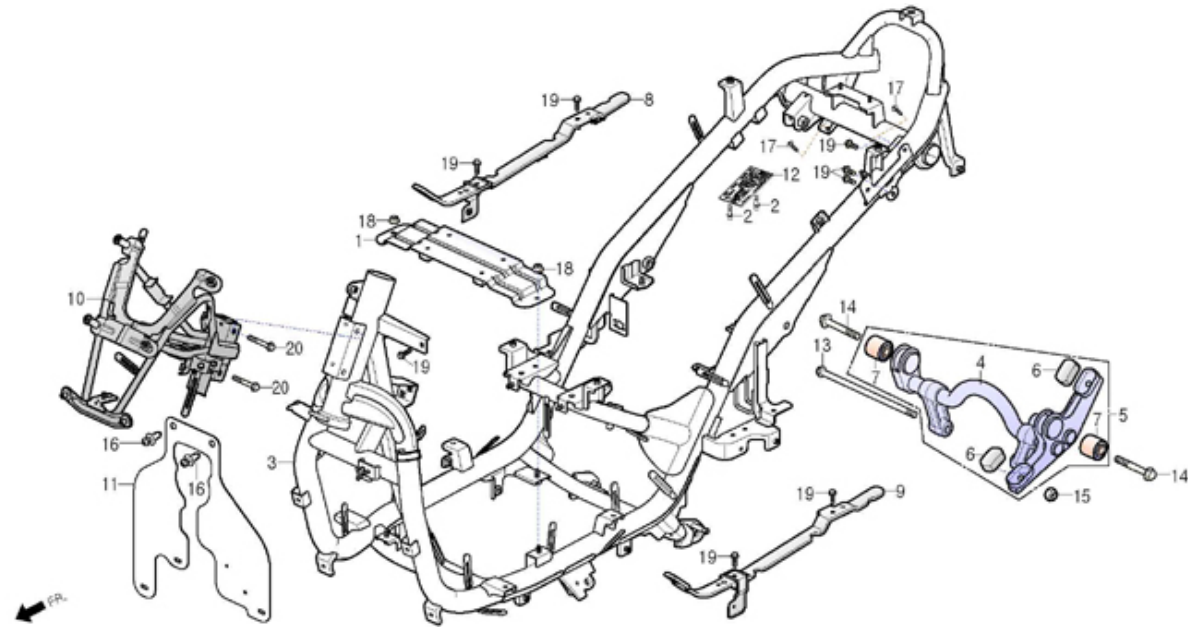
## WIRE HARNESS / IGNITION COIL



Service item	FRT	Ref. No.	Part No.	Description	QTY	A/S	Exch	Start Date	Start FRM.No	End FRM.No
		21	38301 - BA8 - 0000 - M1	RELAY COMP., AP.WINKER	1	N		20120423	KMYSZ2BLSDC000001	
		22	38500 - BA4 - 0010	RELAY ASS'Y, LIGHT	3	Y		20120423	KMYSZ2BLSDC000001	
		23	38500 - CB4 - 4000	RELAY ASS'Y, FUEL PUMP	1	Y		20120423	KMYSZ2BLSDC000001	
		24	38501 - CB4 - 4000	RELAY COMP., FUEL PUMP	1	Y		20120423	KMYSZ2BLSDC000001	
		25	38501 - SE6 - 9810	RELAY COMP., START	3	Y		20120423	KMYSZ2BLSDC000001	
		26	38506 - BA4 - 0000	SUSPENSION, LIGHT RELAY	4	N		20120423	KMYSZ2BLSDC000001	
		27	3910A - SAB - 0000	FILTER ASS'Y, MOTOR EMI.	1	Y		20120423	KMYSZ2BLSDC000001	
		28	50142 - SAB - 0000	PLATE COMP., ECU	1	Y		20120423	KMYSZ2BLSDC000001	
		29	77247 - SAB - 0000	SUB CORD,SEAT OPEN SW.	1	Y		20120423	KMYSZ2BLSDC000001	
		30	90112 - BA7 - 0000	BOLT, FLANGE 5x22	2	Y		20120423	KMYSZ2BLSDC000001	
		31	91410 - BA6 - 0000	CLIP, 2x60	1	Y		20120423	KMYSZ2BLSDC000001	
		32	S4002 - 06080 - 0S	NUT, HEX 6mm(Y)	2	Y		20120423	KMYSZ2BLSDC000001	
		33	S4050 - 06080	NUT, FLANGE 6mm	2	Y		20120423	KMYSZ2BLSDC000001	
		34	S4101 - 06800	WASHER, PLAIN 6mm	1	Y		20120423	KMYSZ2BLSDC000001	
		35	S4111 - 06800	WASHER, SPRING 6mm	1	N		20120423	KMYSZ2BLSDC000001	
		36	S5701 - 06016 - 00	BOLT, FLANGE 6x16	1	Y		20120423	KMYSZ2BLSDC000001	
		37	S5701 - 06025 - 00	BOLT, FLANGE 6x25	4	Y		20120423	KMYSZ2BLSDC000001	
		38	S5701 - 06032 - 00	BOLT, FLANGE 6x32	2	Y		20120423	KMYSZ2BLSDC000001	
		39	S8200 - 31500	BLADE FUSE 15A	4	Y		20120423	KMYSZ2BLSDC000001	
		40	S8200 - 33000	BLADE FUSE 30A	1	Y		20120423	KMYSZ2BLSDC000001	

## F - 27

## FRAME BODY

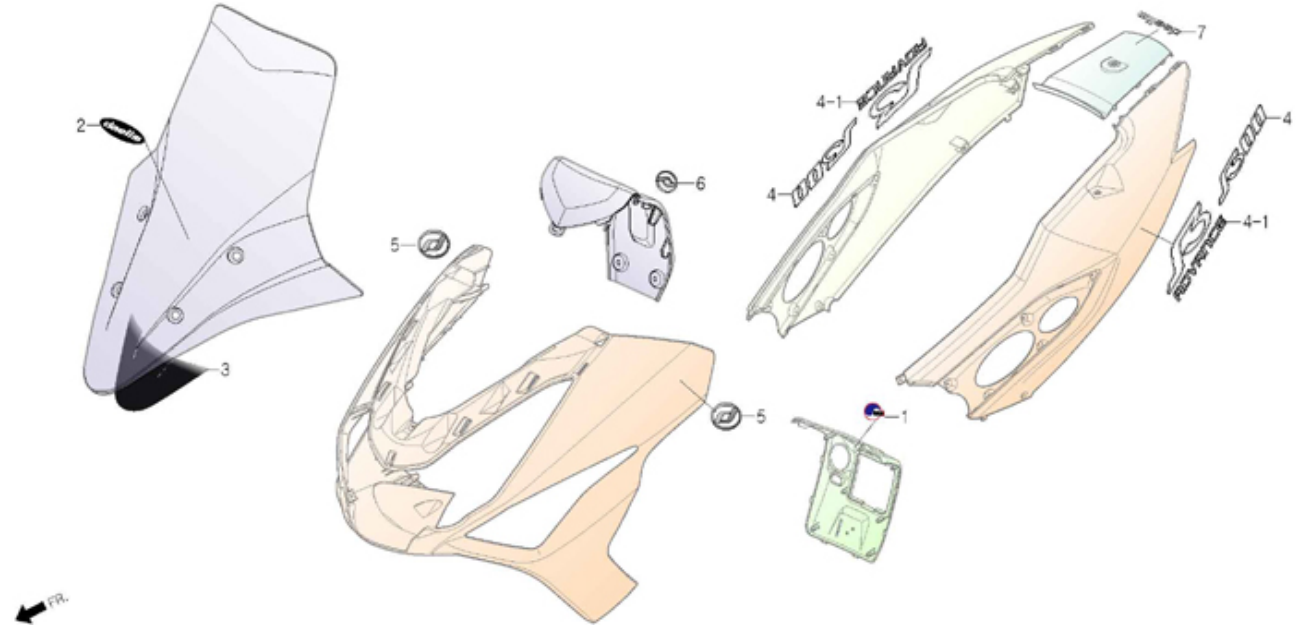


Service item	FRT	Ref. No.	Part No.	Description	QTY	A/S	Exch	Start Date	Start FRM.No	End FRM.No
BODY COMP., FRAME	4.5	1	17517 - SAB - 0000	PLATE, TANK SUPPORT	1	Y		20120423	KMYSZ2BLSDC000001	
PIPE COMP., FR.TOP	0.6	2	18323 - BA7 - RE00	RIVET, BLIND 3.2x8.5	2	Y		20120423	KMYSZ2BLSDC000001	
LINK ASS'Y, ENGINE HANGER	0.8	3	50100 - SZ2 - 0000	BODY COMP., FRAME	1	Y		20120423	KMYSZ2BLSDC000001	
PLATE, TANK SUPPORT	0.5	4	50170 - SZ2 - 0000	LINK COMP., ENGINE.HANGER	1	N		20120423	KMYSZ2BLSDC000001	
		5	50350 - SZ2 - 0000	LINK ASS'Y, ENGINE.HANGER	1	Y		20120423	KMYSZ2BLSDC000001	
		6	50352 - SZ2 - 0000	RUBBER, LINK STOPPER	2	Y		20120423	KMYSZ2BLSDC000001	
		7	50357 - SZ1 - 0000	BUSH, ENGINE HANGER RUBBER	2	Y		20120423	KMYSZ2BLSDC000001	
		8	50700 - SAB - 0000	BOARD COMP., RH.FLOOR	1	Y		20120423	KMYSZ2BLSDC000001	
		9	50800 - SAB - 0000	BOARD COMP., LH.FLOOR	1	Y		20120423	KMYSZ2BLSDC000001	
		10	64315 - SZ2 - 0000	PIPE COMP., FR.TOP	1	Y		20120423	KMYSZ2BLSDC000001	
		11	64318 - SZ2 - 0000	PLATE, FR.SPLASH GUARD	1	Y		20120423	KMYSZ2BLSDC000001	
		12	87509 - SZ2 - RZ00	LABEL, CERTIFICATION	1	N		20120423	KMYSZ2BLSDC000001	
		13	90107 - SZ1 - 0000	BOLT, FLANGE 10x237	1	Y		20120423	KMYSZ2BLSDC000001	
		14	90159 - SZ1 - 0000 - M1	BOLT, FLANGE12x55	2	Y		20120423	KMYSZ2BLSDC000001	
		15	90304 - SE6 - 0000	NUT, U 10mm	1	Y		20120423	KMYSZ2BLSDC000001	
		16	90683 - SE5 - 0030	CLIP, BODY COVER	2	Y		20120423	KMYSZ2BLSDC000001	
		17	S3903 - 34A80	SCREW, TAPPING 4x14	2	N		20120423	KMYSZ2BLSDC000001	
		18	S4050 - 06080	NUT, FLANGE 6mm	2	Y		20120423	KMYSZ2BLSDC000001	
		19	S5701 - 06012 - 00	BOLT, FLANGE 6x12	8	Y		20120423	KMYSZ2BLSDC000001	
		20	S5701 - 08050 - 00	BOLT, FLANGE 8x50	2	Y		20120423	KMYSZ2BLSDC000001	



## F - 28

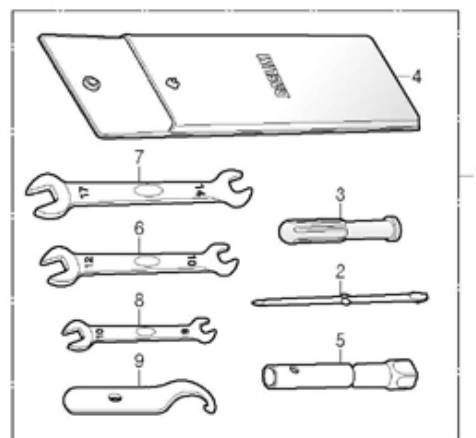
## STRIPE / MARK



Service item	FRT	Ref. No.	Part No.	Description	QTY	A/S	Exch	Start Date	Start FRM.No	End FRM.No
		1	83136 - SAB - RZ10	MARK,MADE IN KOREA	1	Y		20120423	KMYSZ2BLSDC000001	
		2	87120 - SZ2 - 0000	MARK, WIND SCREEN	1	Y		20120423	KMYSZ2BLSDC000001	
		3	87123 - SAB - R300	STRIPE, WIND SCREEN	1	Y		20120423	KMYSZ2BLSDC000001	
		4	87125 - SZ2 - RB00	MARK, BODY COVER(S300)	2	Y		20120423	KMYSZ2BLSDC000001	
		4 - 1	87125 - SZ2 - RZ00	MARK, BODY COVER(S3 ADVANCE)	2	Y		20120423	KMYSZ2BLSDC000001	
		5	87523 - SAB - 0000	MARK(60), DAELIM	2	Y		20120423	KMYSZ2BLSDC000001	
		6	87524 - SAB - 0000	MARK(35), DAELIM	1	Y		20120423	KMYSZ2BLSDC000001	
		7	87527 - SAB - 0000	STRIPE(65), DAELIM	2	Y		20120423	KMYSZ2BLSDC000001	

## F - 29

## TOOL



Service item	FRT	Ref. No.	Part No.	Description	QTY	A/S	Exch	Start Date	Start FRM.No	End FRM.No
		1	89010 - SZ2 - RZ00	TOOL SET	1	Y		20120423	KMYSZ2BLSDC000001	
		2	89102 - CB2 - 0000	DRIVER, NO.2 PLUS, MINUS	1	N		20120423	KMYSZ2BLSDC000001	
		3	89103 - CB2 - 0000	GRIP	1	N		20120423	KMYSZ2BLSDC000001	
		4	89104 - SZ1 - 0000	TOOL BAG 160mm.	1	N		20120423	KMYSZ2BLSDC000001	
		5	89216 - SZ2 - 0000	WRENCH, PLUG	1	N		20120423	KMYSZ2BLSDC000001	
		6	S9001 - BA7 - 0300 - M1	SPANNER 10x12	1	N		20120423	KMYSZ2BLSDC000001	
		7	S9001 - BA7 - 0600 - M1	SPANNER, 14X17	1	N		20120423	KMYSZ2BLSDC000001	
		8	S9001 - 08100	SPANNER, 8x10	1	N		20120423	KMYSZ2BLSDC000001	
		9	S9007 - 4500	PIN SPANNER	1	N		20120423	KMYSZ2BLSDC000001	